



Kovatch Mobile Equipment/KME Fire Apparatus

General Services Administration
Federal Supply Service
Authorized Federal Supply Schedule Price List

Schedule Title: Firefighting Vehicles, FSC Group 42, Schedule 23,
Part V Vehicle Multiple Award Schedule

FSC Class 4210

Contract Number: GS-30F-1035D

Contract Period: August 30, 2011 through August 29, 2016



www.kovatch.com



Kovatch Mobile Equipment/KME Fire Apparatus

General Services Administration Federal Supply Service Authorized Federal Supply Schedule Price List

Schedule Title: Firefighting Vehicles, FSC Group 42, Schedule 23,
Part V Vehicle Multiple Award Schedule

FSC Class: 4210

Contract Number: GS-30F-1035D

Contract Period: August 30, 2011 through August 29, 2016

Contractor: Kovatch Mobile Equipment
dba KME Fire Apparatus
One Industrial Complex
Nesquehoning, PA 18240
Telephone: 800-235-3928
Fax: 570-669-5124
Email: kme@kovatch.com
Web: www.kovatch.com

Contacts: Phil Gerace, Director of Sales and Marketing
KME Fire Apparatus
One Industrial Complex
Nesquehoning, PA 18240
Telephone: 800-235-3928
Fax: 570-669-5124
Email: pgerace@kovatch.com

Jack Zalesak, Government Sales Manager
KME Fire Apparatus
One Industrial Complex
Nesquehoning, PA 18240
Telephone: 800-235-3928
Fax: 570-669-9966
Email: jzalesak@kovatch.com



Kovatch Mobile Equipment/KME Fire Apparatus

Customer Information

1. Awarded Special Item Numbers: 190-01, 967-01
2. Maximum Order: \$1,000,000.00
3. Minimum Order: \$79,014.00
4. Geographic Coverage: 48 contiguous states, Washington D.C.
5. Point of Production: Nesquehoning, PA
6. Prices: As listed (discount deducted, industrial funding fee incl)
7. Quantity Discounts: 1-2 units 4.75% 3-5 units 5% and 6+ units 6% (SIN 190-01 Only)
8. Prompt Payment Terms: Net 30
9. Government Credit Cards: Not Accepted
10. Foreign Items: None
11. Time of Delivery: Refer to Price List for Each Model
12. FOB: 190-01 Origin, Nesquehoning, PA
967-01 Destination
13. Ordering Address: KME Fire Apparatus, One Industrial Complex, Nesquehoning, PA 18240
14. Payment Address: Same as Above
15. Warranty Provisions: Starting upon delivery of the vehicle. Basic One Year Parts and Labor. Certain components may be warranted for periods exceeding one year by the component manufacturer.
16. Export Packing Charges: Not available
17. Terms and Conditions Rental, Maint, Repair: Not Available
18. Terms and Conditions of Installation: Not Available
19. Terms and Conditions of Repair Parts: Not Available
20. Terms and Conditions of Other Services: Not Available
21. List of Service and Distribution Points: Call for Details
22. List of Participating Dealers: Not Applicable for Vehicle Sales
23. Preventative Maintenance: Customer to Provide in Accordance with Equipment Maintenance Instructions
24. Additional Contractor Information: DUNS Number: 15-214-4010
25. Tax: Federal Excise Tax-FET (12%) is included in pricing of Commercial vehicles in excess of 33,000lb GVWR. Any other applicable taxes are not included.
- 26.N.F.P.A Chassis: KME supplied Ford, KME, International that are on the schedule are all N.F.P.F compliant. The Dodge



Kovatch Mobile Equipment/KME Fire Apparatus

chassis is compliant to N.F.P.A 1906. All body components are compliant as well.



Kovatch Mobile Equipment/KME Fire Apparatus

Schedule Product Overview

AERIALS

KME Fire App	ARTDA100	AERIAL TDA 100' NO PUMP	\$791,918.00
KME Fire App	ARTDA100P	AERIAL TDA 100' W PUMP	\$863,932.00
KME Fire App	ARRM75	AERIAL REAR MOUNT 75'	\$589,294.00
KME Fire App	ARRM102	PLATFORM RM102'	\$783,540.00
KME Fire App	ARRM100	AERIAL RM 100' 4-SEC	\$687,794.00
KME Fire App	ARMM95	PLATFORM 95' 5-SEC	\$872,412.00
KME Fire App	ARMM81	PLATFORM 81'5-SEC	\$870,387.00
KME Fire App	ARMM100	PLATFORM 100' 5-SEC	\$872,548.00
KME Fire App	ARFS75	AERIAL FIRE STICK 75	\$513,429.00
KME Fire App	ARRM75TA	AERIAL RM75' TA	\$636,457.00



Kovatch Mobile Equipment/KME Fire Apparatus

AERIAL OPTIONS

KME Fire App	N/A	ALUMINUM TREAD PLATE OVERLAY ON CAB ROOF	\$ 897.56
KME Fire App	N/A	ELECTRIC WINDOWS, FOUR (4) DOORS, MFD, X-MFD, LFD CAB	\$ 1,057.15
KME Fire App	N/A	SCOTCHLITE STRIPE ON EACH CAB DOOR EDGE	\$ 180.87
KME Fire App	N/A	POLISHED S/S SCUFF PLATES @ EACH CAB DOOR FRAME AND JAMB	\$ 714.76
KME Fire App	N/A	POLISHED S/S TRIM BAND ALONG CAB SIDES, BUMPER HEIGHT	\$ 705.09
KME Fire App	N/A	POLISHED S.S. SCUFF PLATES, FULL HEIGHT OF REAR CAB CORNERS	\$ 254.37
KME Fire App	N/A	ACCENT MOLDING BELOW WINDSHIELD AND SIDES OF CAB AS DIRECTED	\$ 263.08
KME Fire App	N/A	ALUMINUM TREAD PLATE OVERLAY, EXTERIOR REAR WALL	\$ 772.79
KME Fire App	N/A	STATIONARY VIEWING WINDOWS CAB REAR WALL	\$ 363.67
KME Fire App	N/A	SLIDING WINDOWS IN REAR WALL - 12 1/4" X 18 9/16"	\$ 430.40
KME Fire App	N/A	HD SOUNDPROOFING/ INSULATION PACKAGE UNDER ENGINE ENCLOSURE	\$ 920.77
KME Fire App	N/A	HD SOUNDPROOFING/INSULATION BETWEEN UPHOLSTERY & ENGINE ENCL	\$ 606.43
KME Fire App	N/A	BRUSHED S/S SCUFF PLATES ON ENGINE ENCLOSURE	\$ 172.16
KME Fire App	N/A	POLISHED S/S SCUFF PLATES ON ENGINE ENCLOSURE	\$ 172.16
KME Fire App	N/A	HELMET HOLDERS IN CAB	\$ 91.88
KME Fire App	N/A	STORAGE COMP FOR (3) 3" BINDERS (TOP LOAD, VERT W/ LID)	\$ 459.42



Kovatch Mobile Equipment/KME Fire Apparatus

KME Fire App	N/A	STORAGE COMP FOR (3) 2" BINDERS (FRONT LOAD, VERT)	\$ 357.86
KME Fire App	N/A	STORAGE COMP FOR (3) 2" BINDERS (FRONT LOAD, HORZ)	\$ 687.68
KME Fire App	N/A	STORAGE COMP FOR (4) 1-1/2" BINDERS (FRONT LOAD, HORZ)	\$ 503.91
KME Fire App	N/A	STORAGE COMP FOR (4) 3" BINDERS (FRONT LOAD, VERT)	\$ 516.48
KME Fire App	N/A	STORAGE COMP FOR (3) 1-1/2" BINDERS (FRONT LOAD, HORZ)	\$ 690.58
KME Fire App	N/A	STORAGE COMP FOR (5) 1" BINDERS (FRONT LOAD, VERT)	\$ 766.99
KME Fire App	N/A	STORAGE COMP FOR (5) 1-1/2" BINDERS (TOP LOAD, VERT W/ LID)	\$ 619.01
KME Fire App	N/A	STORAGE RACK FOR (3) 3" BINDERS (TOP LOAD, HORZ)	\$ 822.12
KME Fire App	N/A	STORAGE COMP FOR (3) 3" BINDERS (FRONT LOAD, VERT W/ LID)	\$ 769.89
KME Fire App	N/A	STORAGE RACK FOR (3) 2" BINDERS (TOP LOAD, HORZ)	\$ 753.45
KME Fire App	N/A	NOTEBOOK HOLDER	\$ 803.74
KME Fire App	N/A	STANDARD #MATM RADIO ANTENNA INSTALLED	\$ 164.42
KME Fire App	N/A	LAPTOP COMPUTER SLIDE OUT TRAY - OFFICER SIDE DASH	\$ 437.17
KME Fire App	N/A	OFFICER FOLD DOWN FOOT REST ON FIREWALL	\$ 215.69
KME Fire App	N/A	AMMETER	\$ 308.54
KME Fire App	N/A	"RETARDER ACTIVE" INDICATOR CLUSTER	\$ -
KME Fire App	N/A	"RETARDER ON" INDICATOR CLUSTER	\$ -
KME Fire App	N/A	TWO (2) 6" WINDSHIELD DEFOGGER FANS	\$ 295.00
KME Fire App	N/A	TETHER CONTROL FOR CAB TILT , W/COMPARTMENT FOR CONTROL	\$ 898.53
KME Fire App	N/A	TETHER CONTROL FOR CAB TILT , W/PLUG-IN RECEPT @ FRNT BUMPER	\$ 898.53



Kovatch Mobile Equipment/KME Fire Apparatus

KME Fire App	N/A	REAR CAB LIFTING EYELETS - (LA COUNTY)	\$ 163.46
KME Fire App	N/A	\$\$ REQ 16" EXT MIN, BELL MOUNTED ON TOP BUMPER \$\$	\$ -
KME Fire App	N/A	\$\$ REQ 16" EXT MIN, MECH SIREN ON TOP BUMPER, D/O \$\$	\$ -
KME Fire App	N/A	CUSTOM - ONE (1) HOSE WELL AT CENTER OF BUMPER EXT.	\$ 493.27
KME Fire App	N/A	CUSTOM - TWO (2) VELCRO STRAPS ON CENTER WELL	\$ 136.38
KME Fire App	N/A	LIGHTED BUMPER GUIDE POLES ON CORNERS OF BUMPER	\$ 233.10
KME Fire App	N/A	FLAG HOLDERS, FRONT BUMPER	\$ 209.88
KME Fire App	N/A	BUMPER NUMBER PLATE	\$ 209.88
KME Fire App	N/A	CHAIN SYSTEM FOR SINGLE REAR AXLE (INSTA-CHAIN)	\$ 1,677.12
KME Fire App	N/A	CHAIN SYSTEM FOR SINGLE REAR AXLE (ON-SPOT)	\$ 1,682.93
KME Fire App	N/A	CHAIN SYSTEM FOR SINGLE REAR AXLE (RUD)	\$ 1,768.04
KME Fire App	N/A	CHAIN SYSTEM FOR TANDEM AXLE (ON-SPOT)	\$ 1,903.45
KME Fire App	N/A	CHAIN SYSTEM FOR TANDEM AXLE (INSTA-CHAIN)	\$ 1,898.61
KME Fire App	N/A	CHAIN SYSTEM FOR TANDEM REAR AXLE (RUD 6 STRAND)	\$ 1,903.45
KME Fire App	N/A	CHAIN SYSTEM FOR TANDEM REAR AXLE (RUD 18 STRAND)	\$ 2,244.87
KME Fire App	N/A	TELMA DRIVELINE RETARDER TANDEM AXLE - IN-LINE MOUNT	\$ 10,105.31
KME Fire App	N/A	TELMA NOTE: ENGINEERING LAYOUT REQUIRED - CONTACT CHASSIS GROUP!	\$ -
KME Fire App	N/A	TELMA RETARDER OPERATION W/BRAKE PEDAL PROGRESSIVE STAGES 1, 2, 3, & 4	\$ 204.08
KME Fire App	N/A	AUTOMATIC MOISTURE EJECTORS (ON ALL TANKS)	\$ 226.32
KME Fire App	N/A	HEATED AUTOMATIC MOISTURE EJECTOR ON THE PRIMARY TANK	\$ 231.16



Kovatch Mobile Equipment/KME Fire Apparatus

KME Fire App	N/A	HEATED AUTOMATIC MOISTURE EJECTORS ON ALL TANKS	\$ 403.32
KME Fire App	N/A	VEHICLE AIR DISCHARGE CONNECTION IN LEFT DOOR AREA	\$ 220.52
KME Fire App	N/A	50' AIR SUPPLY HOSE FOR AIR OUTLET ON CAB W/M	\$ 81.24
KME Fire App	N/A	KUSSMAUL AUTO AIR EJECT INLET	\$ 309.50
KME Fire App	N/A	KUSSMAUL #091-9B-1, 120 VOLT AIR COMPRESSOR - 100 PSI MAX.	\$ 551.30
KME Fire App	N/A	KUSSMAUL #091-9HP, 120 VOLT AIR COMPRESSOR - 125 PSI MAX.	\$ 590.96
KME Fire App	N/A	GAST AIR COMPRESSOR	\$ 589.99
KME Fire App	N/A	ONE AND ONE-HALF (1-1/2) GALLON COOLANT RECOVERY SYSTEM	\$ 196.34
KME Fire App	N/A	EMERGENCY ENGINE SHUTDOWN - AMOT #4262-25, PNEUMATIC CONTROL	\$ 1,449.83
KME Fire App	N/A	RACOR HEATED FUEL-WATER SEPARATOR WITH ALARM	\$ 327.88
KME Fire App	N/A	DETROIT DIESEL FUEL PRO 382 FUEL HEATER/WATER SEPARATOR	\$ 526.16
KME Fire App	N/A	RED INTERIOR LIGHT UNDER DASH, EACH SIDE	\$ 209.88
KME Fire App	N/A	INNER CAB DOOR FLASHERS (HALOGEN)	\$ 372.37
KME Fire App	N/A	INNER CAB DOOR FLASHERS (LED) TRUCK-LITE MODEL SUPER 44	\$ 545.50
KME Fire App	N/A	ADDITIONAL MAP/COURTESY LIGHT TO FRONT HEADLINER	\$ 130.57
KME Fire App	N/A	ADDITIONAL MAP/COURTESY LIGHT TO REAR HEADLINER	\$ 130.57
KME Fire App	N/A	FEDERAL, #LF18TSB-LED "LITTLITE", MAP LIGHT @ RIGHT SIDE OF	\$ 155.72
KME Fire App	N/A	SUNNEX MODEL #700, GOOSE	\$ 139.28



Kovatch Mobile Equipment/KME Fire Apparatus

KME Fire App	N/A	FEDERAL #620102 "VISIBEAM" REMOTE SPOTLIGHT, DS SIDE OF CAB	\$ 403.32
KME Fire App	N/A	FEDERAL #620102 "VISIBEAM" REMOTE SPOTLIGHT, OS SIDE OF CAB	\$ 403.32
KME Fire App	N/A	12 VOLT CIGARETTE LIGHTER LOCATED IN CAB AS DIRECTED	\$ 88.98
KME Fire App	N/A	12 VOLT CIGARETTE LIGHTER LOCATED NEAR OFFICER	\$ 88.98
KME Fire App	N/A	12 VOLT POWER AND GROUND CIRCUIT FOR ACCESSORIES IN DASH	\$ 130.57
KME Fire App	N/A	12 VOLT POWER AND GROUND CIRCUIT, IN REAR CREW AREA	\$ 164.42
KME Fire App	N/A	12 VOLT POWER AND GROUND CIRCUIT, IN BODY COMPARTMENT	\$ 164.42
KME Fire App	N/A	12 VOLT POWER AND GROUND CIRCUIT - (LA COUNTY)	\$ 164.42
KME Fire App	N/A	ZICO #ZQL-SS-H7614 QUIC-LIGHTS IN REAR WHEELWELL PANELS	\$ 500.04
KME Fire App	N/A	WELDON 3x7 ANGLED SCENE LIGHTS BEHIND FRONT CAB DOORS	\$ 374.31
KME Fire App	N/A	WELDON 3x7 ANGLED SCENE LIGHTS ON REAR OF BODY	\$ 408.16
KME Fire App	N/A	WHELEN 900 SERIES OPTI-SCENE LIGHTS BEHIND FRONT CAB DOORS	\$ 394.62
KME Fire App	N/A	WHELEN 900 SERIES OPTI-SCENE LIGHTS ON REAR OF BODY	\$ 496.17
KME Fire App	N/A	WHELEN M9 SERIES LED SCENE LIGHTS BEHIND FRONT CAB DOORS	\$ 581.29
KME Fire App	N/A	WHELEN M9 SERIES LED SCENE LIGHTS ON REAR OF BODY	\$ 683.81
KME Fire App	N/A	FEDERAL, "GHSCENE", SCENE LIGHTS BEHIND FRONT CAB DOORS	\$ 304.67
KME Fire App	N/A	FEDERAL, "GHSCENE", SCENE LIGHTS ON REAR BODY PANEL	\$ 406.22



Kovatch Mobile Equipment/KME Fire Apparatus

KME Fire App	N/A	WHELEN 600 SUPER LED PAIR, MOUNTED AS DIRECTED	\$ 281.46
KME Fire App	N/A	WHELEN 700 SUPER LED PAIR, MOUNTED AS DIRECTED	\$ 281.46
KME Fire App	N/A	WHELEN 900 SUPER LED PAIR, MOUNTED AS DIRECTED	\$ 422.67
KME Fire App	N/A	CODE 3, 45BZR LED PAIR, MOUNTED AS DIRECTED	\$ 274.68
KME Fire App	N/A	CODE 3, 65BZR LED PAIR, MOUNTED AS DIRECTED	\$ 286.29
KME Fire App	N/A	FEDERAL QUARDAFLARE, QL73XF-R LED PAIR, MOUNTED AS DIRECTED	\$ 362.70
KME Fire App	N/A	3M OPTICOM - PEDASTAL MOUNTED ON CAB ROOF	\$ 1,268.00
KME Fire App	N/A	3M OPTICOM - MOUNTED IN CAB ROOF LIGHT BAR	\$ 1,942.14
KME Fire App	N/A	ROTO-RAY #200 WARNING, MOUNTED ON FRONT FACE OF CAB	\$ 1,120.02
KME Fire App	N/A	ROTO-RAY LED #1000 WARNING, MOUNTED ON FRONT FACE OF CAB	\$ 1,517.54
KME Fire App	N/A	ROTO-RAY #200 WARNING, MOUNTED ON TOP OF FRONT EXTENSION	\$ 1,228.34
KME Fire App	N/A	FEDERAL VPX LED 31", "SIGNAL MASTER" LIGHT AT REAR OF BODY	\$ 1,268.00
KME Fire App	N/A	FEDERAL VPX LED 42", "SIGNAL MASTER" LIGHT AT REAR OF BODY	\$ 1,418.88
KME Fire App	N/A	WHELEN 33" - #TA637A "TRAFFIC ADVISER" AT REAR OF BODY	\$ 982.68
KME Fire App	N/A	WHELEN 44" - #TA837A "TRAFFIC ADVISER" AT REAR OF BODY	\$ 998.15
KME Fire App	N/A	WHELEN LED 36" - #TAL65 "TRAFFIC ADVISER" ON REAR OF BODY	\$ 1,002.02
KME Fire App	N/A	WHELEN LED 48" - #TAL85 "TRAFFIC ADVISER" ON REAR OF BODY	\$ 1,068.76



Kovatch Mobile Equipment/KME Fire Apparatus

KME Fire App	N/A	FEDERAL Q2B SIREN @ CAB FRONT	\$ 2,089.15
KME Fire App	N/A	Q2B MOUNT - LOCATED ON TOP OF DRIVER'S SIDE OF BUMPER	\$ 136.38
KME Fire App	N/A	SIREN CONTROL - LINEMASTER #632 FLOOR SWITCH, DS & OS	\$ 156.69
KME Fire App	N/A	SOUTH PARK 12" SMOOTH CHROME BELL @ FRONT OF CAB	\$ 1,230.28
KME Fire App	N/A	BELL MOUNT - OFFICER'S SIDE OF BUMPER EXTENSION	\$ 136.38
KME Fire App	N/A	PULL CORD CONTROL FOR BELL IN CAB	\$ 45.46
KME Fire App	N/A	AM/FM/CD STEREO, WIRELESS REMOTE + 4 SPEAKERS	\$ 602.57
KME Fire App	N/A	BEARCAT MOBILE SCANNER #BC350C	\$ 333.68
KME Fire App	N/A	BEARCAT MOBILE SCANNER #BCD996XT	\$ 853.07
KME Fire App	N/A	LG ROLLOVER ALERT SYSTEM	\$ 2,815.52
KME Fire App	N/A	TRIDENT AIR PRIMER	\$ 573.55
KME Fire App	N/A	HALE ANODE PRO - WITH 3 INTELLIGENT ANODE	\$ 387.85
KME Fire App	N/A	WATEROUS ANODE BLOCKS - 2 TOTAL	\$ 208.92
KME Fire App	N/A	WATEROUS ANODE BLOCKS - 4 TOTAL	\$ 349.16
KME Fire App	N/A	DARLEY ANODE BLOCKS - 2 EACH	\$ 305.64
KME Fire App	N/A	DARLEY ANODE BLOCKS - 4 TOTAL	\$ 543.57
KME Fire App	N/A	ONE (1) HADES HOT WATER HEATER FOR PUMP ENCLOSURE	\$ 532.93
KME Fire App	N/A	TWO (2) HADES HOT WATER HEATERS FOR PUMP ENCLOSURE	\$ 1,065.85
KME Fire App	N/A	PUMP ENCLOSURE HEAT PAN	\$ 799.87
KME Fire App	N/A	HALE MIV HANDWHEEL CONTROLLED BUTTERFLY VALVE @ DS INLET	\$ 1,655.85
KME Fire App	N/A	HALE MIV HANDWHEEL CONTROLLED BUTTERFLY VALVE @ OS INLET	\$ 1,655.85
KME Fire App	N/A	HALE MIV ELECTRICALLY	\$ 2,371.57



Kovatch Mobile Equipment/KME Fire Apparatus

KME Fire App	N/A	HALE MIV ELECTRICALLY CONTROLLED BUTTERFLY VALVE @ OS INLET	\$ 2,371.57
KME Fire App	N/A	AERIAL CONTROLS AT PUMP OPERATOR'S PANEL	\$ -
KME Fire App	N/A	AERIAL CONTROLS AT PUMP OPERATOR'S PANEL	\$ -
KME Fire App	N/A	1/2 WIDTH S. S. OUTRIGGER COVER PANEL, TWO RIGGER DEVICES	\$ 731.20
KME Fire App	N/A	1/2 WIDTH S. S. OUTRIGGER COVER PANELS, FOUR RIGGER DEVICES	\$ 1,326.03
KME Fire App	N/A	GRIP-STRUT INSERT IN DRIVER SIDE RUNNING BOARD STEP	\$ 278.55
KME Fire App	N/A	GRIP-STRUT INSERT IN OFFICER SIDE RUNNING BOARD STEP	\$ 278.55
KME Fire App	N/A	STORAGE WELL IN OFFICERS SIDE RUNNING BOARD	\$ 442.98
KME Fire App	N/A	TWO (2) VELCRO STRAPS ON OFFICER'S SIDE STORAGE WELL	\$ 113.16
KME Fire App	N/A	TWO (2) SCBA BOTTLE STORAGE COMPARTMENTS, 75-100 SA ONLY	\$ 578.39
KME Fire App	N/A	SIX (6) SCBA BOTTLE STORAGE COMPARTMENTS, TANDEM BODIES	\$ 1,599.75
KME Fire App	N/A	(AUTO QTY) ADJUSTABLE SHELF(S), MOUNTED AS DIRECTED	\$ 294.03
KME Fire App	N/A	(AUTO QTY) ROLLOUT TRAY(S), MOUNTED AS DIRECTED	\$ 575.48
KME Fire App	N/A	(AUTO QTY) ROLLOUT TRAY(S), MOUNTED AS DIRECTED	\$ 893.69
KME Fire App	N/A	(AUTO QTY) ADJUSTABLE ROLLOUT TRAY(S), MOUNTED AS DIRECTED	\$ 575.48
KME Fire App	N/A	(AUTO QTY) ROLLOUT DROP DOWN TRAY(S), MOUNTED AS DIRECTED	\$ 846.30
KME Fire App	N/A	(AUTO QTY) VERT DIVIDER(S), AS DIRECTED BY FIRE	\$ 313.37



Kovatch Mobile Equipment/KME Fire Apparatus

KME Fire App	N/A	(AUTO QTY) VERT DIVIDER(S), AS DIRECTED BY FIRE DEPARTMENT	\$ 392.68
KME Fire App	N/A	SWING OUT TOOL BOARD, 3/16" ALUMINUM	\$ 561.94
KME Fire App	N/A	SWING OUT TOOL BOARD, PAC TRAC DOUBLE FACED EXTRUSION	\$ 828.89
KME Fire App	N/A	VERTICAL PULL OUT TOOL BOARD, 3/16" ALUMINUM, #250 CAPACITY	\$ 718.63
KME Fire App	N/A	VERTICAL PULL OUT TOOL BOARD, 3/4" PLYWOOD, #250 CAPACITY	\$ 970.10
KME Fire App	N/A	ALCO-LITE TEL3-40P 40' TRUSS 3-SECTION EXTENSION LADDER (ALU	\$ 1,624.90
KME Fire App	N/A	ALCO-LITE TEL3-35 35' TRUSS 3-SECTION EXTENSION LADDER (ALUM	\$ 1,334.74
KME Fire App	N/A	ALCO-LITE TEL3-24 24' TRUSS 3-SECTION EXTENSION LADDER (ALUM	\$ 1,212.87
KME Fire App	N/A	ALCO-LITE TEL-28 28' TRUSS 2-SECTION EXTENSION LADDER (ALUM)	\$ 847.27
KME Fire App	N/A	ALCO-LITE TEL-20 20' TRUSS 2-SECTION EXTENSION LADDER (ALUM)	\$ 691.55
KME Fire App	N/A	ALCO-LITE PEL3-35 35' 3-SECTION EXTENSION LADDER (ALUM)	\$ 853.07
KME Fire App	N/A	ALCO-LITE PEL3-28 28' 3-SECTION EXTENSION LADDER (ALUM)	\$ 741.84
KME Fire App	N/A	ALCO-LITE PEL3-24 24' 3-SECTION EXTENSION LADDER (ALUM)	\$ 715.73
KME Fire App	N/A	ALCO-LITE PEL-28 28' 2-SECTION EXTENSION LADDER (ALUM)	\$ 649.96
KME Fire App	N/A	ALCO-LITE PEL-24 24' 2-SECTION EXTENSION LADDER (ALUM)	\$ 534.86



Kovatch Mobile Equipment/KME Fire Apparatus

KME Fire App	N/A	ALCO-LITE PEL-16 16' 2-SECTION EXTENSION LADDER (ALUM)	\$ 442.98
KME Fire App	N/A	ALCO-LITE TRL-18 18' TRUSS ROOF LADDER W/FOLDING HOOKS (ALUM)	\$ 483.60
KME Fire App	N/A	ALCO-LITE TRL-16 16' TRUSS ROOF LADDER W/FOLDING HOOKS (ALUM)	\$ 440.08
KME Fire App	N/A	ALCO-LITE TRL-14 14' TRUSS ROOF LADDER W/FOLDING HOOKS (ALUM)	\$ 417.83
KME Fire App	N/A	ALCO-LITE PRL-18 18' ROOF LADDER W/FOLDING HOOKS (ALUM)	\$ 359.80
KME Fire App	N/A	ALCO-LITE PRL-16 16' ROOF LADDER W/FOLDING HOOKS (ALUM)	\$ 326.91
KME Fire App	N/A	DUO-SAFETY 1225-A 35' 3-SECTION EXTENSION LADDER (ALUM)	\$ 851.14
KME Fire App	N/A	DUO-SAFETY 1225-A 28' 3-SECTION EXTENSION LADDER (ALUM)	\$ 737.01
KME Fire App	N/A	DUO-SAFETY 875-A 18' ROOF LADDER W/ FOLDING HOOKS (ALUM)	\$ 362.70
KME Fire App	N/A	DUO-SAFETY 875-A 16' ROOF LADDER W/ FOLDING HOOKS (ALUM)	\$ 327.88
KME Fire App	N/A	DUO-SAFETY 525-C 40' TRUSS 3-SECTION EXTENSION LADDER (ALUM)	\$ 1,662.62
KME Fire App	N/A	DUO-SAFETY 525-C 35' TRUSS 3-SECTION EXTENSION LADDER (ALUM)	\$ 1,558.16
KME Fire App	N/A	DUO-SAFETY 500-C 45' TRUSS 2-SECTION EXTENSION LADDER (ALUM)	\$ 1,575.57
KME Fire App	N/A	DUO-SAFETY 500-C 40' TRUSS 2-SECTION EXTENSION LADDER (ALUM)	\$ 1,438.23
KME Fire App	N/A	LITTLE GIANT LADDER MODEL 13 (7'-11')	\$ 574.52



Kovatch Mobile Equipment/KME Fire Apparatus

KME Fire App	N/A	LITTLE GIANT LADDER MODEL 17 (9'-15')	\$ 677.04
KME Fire App	N/A	LITTLE GIANT LADDER MODEL 22 (11'-19')	\$ 721.53
KME Fire App	N/A	6' ALUMINUM STEP LADDER	\$ 125.74
KME Fire App	N/A	8' ALUMINUM STEP LADDER	\$ 174.10
KME Fire App	N/A	6' FIBERGLASS STEP LADDER	\$ 114.13
KME Fire App	N/A	8' FIBERGLASS STEP LADDER	\$ 147.01
KME Fire App	N/A	PIKE POLE TUBE(S) - AERIALS	\$ 121.87
KME Fire App	N/A	FIRE HOOKS UNLIMITED PIKE POLES 1-6', 1-8', & 1-10' WITH FIB	\$ 293.06
KME Fire App	N/A	FIRE HOOKS UNLIMITED PIKE POLES 1-6', 1-8', & 1-12' WITH FIB	\$ 316.27
KME Fire App	N/A	FIRE HOOKS UNLIMITED PIKE POLES 2-6', 2-8', & 2-10' WITH FIB	\$ 587.09
KME Fire App	N/A	FIRE HOOKS UNLIMITED PIKE POLES 2-6', 2-8', & 2-12' WITH FIB	\$ 632.55
KME Fire App	N/A	FIRE HOOKS UNLIMITED PIKE POLES 2-6', 2-8', 1-10' & 1-12' WI	\$ 609.34
KME Fire App	N/A	FIRE HOOKS UNLIMITED PIKE POLES 2-6', 2-8', 2-10' & 2-12' WI	\$ 885.96
KME Fire App	N/A	WHELEN 900, STROBE LIGHTS ON (2) OUTRIGGER PANELS	\$ 700.25
KME Fire App	N/A	WHELEN 900, SUPER LED FLASHER ON (2) OUTRIGGER PANELS	\$ 558.07
KME Fire App	N/A	WHELEN 600, SUPER LED FLASHER ON (4) OUTRIGGER PANELS	\$ 834.69
KME Fire App	N/A	WHELEN M6, SUPER LED FLASHER ON (4) OUTRIGGER PANELS	\$ 1,012.66
KME Fire App	N/A	ALUMINUM TREAD PLATE SAW BOX MOUNTED ON TURNTABLE	\$ 925.61
KME Fire App	N/A	ALUMINUM TREAD PLATE HOSE BOX MOUNTED ON TURNTABLE	\$ 925.61



Kovatch Mobile Equipment/KME Fire Apparatus

KME Fire App	N/A	4' PIKE POLE MOUNTED IN FLY SECTION OF LADDER	\$ 284.36
KME Fire App	N/A	6' PIKE POLE MOUNTED IN FLY SECTION OF LADDER	\$ 287.26
KME Fire App	N/A	8' PIKE POLE MOUNTED IN FLY SECTION OF LADDER	\$ 294.03
KME Fire App	N/A	10' PIKE POLE MOUNT IN FLY SECTION OF LADDER	\$ 331.75
KME Fire App	N/A	12' PIKE POLE MOUNT IN FLY SECTION OF LADDER	\$ 351.09
KME Fire App	N/A	6 LB. PICKHEAD AXE MOUNTED IN FLY SECTION, INCLUDES AXE	\$ 234.06
KME Fire App	N/A	ROOF LADDER MOUNT WITHIN FLY SECTION; 3S-102-PL	\$ 409.13
KME Fire App	N/A	SPECIFIED ROOF LADDER FROM LADDER COMPLIMENT	\$ -
KME Fire App	N/A	RESCUE STRETCHER MOUNT, TREAD PLATE BOX	\$ 1,772.88
KME Fire App	N/A	RESCUE STRETCHER MOUNT, PAINTED BOX	\$ 2,317.41
KME Fire App	N/A	(2) WHELEN #800, BLUE STROBES @ BASE END FOR LOAD SYSTEM	\$ 699.29
KME Fire App	N/A	(2) WHELEN #800, AMBER STROBES @ BASE END FOR LOAD SYSTEM	\$ 699.29
KME Fire App	N/A	WHELEN #800, BLUE STROBE LIGHT ON LEFT SIDE OF LADDER TIP	\$ 350.13
KME Fire App	N/A	WHELEN #800, BLUE STROBE LIGHT ON RIGHT SIDE OF LADDER TIP	\$ 350.13
KME Fire App	N/A	WHELEN #800, AMBER STROBE LIGHT ON LEFT SIDE OF LADDER TIP	\$ 350.13
KME Fire App	N/A	WHELEN #800, AMBER STROBE LIGHT ON RIGHT SIDE OF LADDER TIP	\$ 350.13
KME Fire App	N/A	LADDER WALKWAY ILLUMINATION LIGHTS, 3-SECT LADDER	\$ 2,491.51
KME Fire App	N/A	LADDER WALKWAY ILLUMINATION LIGHTS, 4-	\$ 3,519.64



Kovatch Mobile Equipment/KME Fire Apparatus

		SECT LADDER	
KME Fire App	N/A	LADDER WALKWAY ILLUMINATION LIGHTS, 5-SECT LADDER	\$ 4,039.99
KME Fire App	N/A	6 LB. PICK HEAD AXE MOUNTED IN PLATFORM	\$ 214.72
KME Fire App	N/A	8 LB. PICK HEAD AXE MOUNTED IN PLATFORM	\$ 214.72
KME Fire App	N/A	HALLIGAN BAR MOUNTED IN PLATFORM	\$ 278.55
KME Fire App	N/A	3 IN 1 PLATFORM ATTACHMENT (ROOF LADDER, STOKES AND LIFTING)	\$ 2,545.67
KME Fire App	N/A	LADDER, "CREEPER CONTROLS" @ LADDER TIP	\$ 2,950.93
KME Fire App	N/A	75' AERIAL LADDER, PUMP PANEL CONTROL STATION, 75' R-M ONLY	\$ 4,456.86
KME Fire App	N/A	100' M-D AERIAL LADDER, PUMP PANEL CONTROL STATION	\$ 4,456.86
KME Fire App	N/A	PNEUMATIC WATERWAY SHUT-DOWN VALVE AT REAR CONTROL PANEL	\$ 1,233.18
KME Fire App	N/A	ELECTRIC WATERWAY SHUT-DOWN VALVE AT REAR CONTROL PANEL	\$ 2,221.66

All KME ARERIAS vehicles adhere to the following standards:

- NFPA, 1901 Standard, Current Addition
- Miscellaneous loose equipment not included



Kovatch Mobile Equipment/KME Fire Apparatus

PUMPERS

KME Fire App	PMLEGHL	LEGACY HL CUSTOM PUMPER	\$238,961.00
KME Fire App	PMFLB	CUSTOM PUMPER FLUSH BACK	\$290,856.00
KME Fire App	PMFB	CUSTOM PUMPER FLAT BACK	\$290,661.00
KME Fire App	PMCOMMFB	COMMERICAL PUMPER FLAT BACK	\$214,429.00
KME Fire App	PMCLGRWB	COMMERICAL PUMPER WB 2-DR	\$220,433.00
KME Fire App	PMCLGRRS	COMMERICAL PUMPER RS 2-DR	\$208,759.00
KME Fire App	PMCLGRFB	COMMERICAL PUMPER FB 2-DR	\$218,026.00
KME Fire App	PMCHWB	CUSTOM PUMPER WB	\$290,470.00
KME Fire App	PMCHFB	CUSTOM PUMPER FB	\$293,135.00
KME Fire App	PMCOMHL	COMMERICAL PUMPER HL	\$209,400.00
KME Fire App	PMCOMLEG	COMMERICAL PUMPER LEGACY	\$215,009.00
KME Fire App	N/A	4 Door Commercial Cab	Add \$11,122.80



Kovatch Mobile Equipment/KME Fire Apparatus

PUMPER OPTIONS

KME Fire App	N/A	PUMP SHIFT CONTROL ON LOWER LEFT DASH PANEL	\$ 67.70
KME Fire App	N/A	DUNNAGE AREA LIGHTING - WELDON HALOGEN	\$ 151.85
KME Fire App	N/A	HALE QMAX-150 1500 GPM SINGLE STAGE PUMP	\$14,306.82
KME Fire App	N/A	HALE QMAX-175 1750 GPM SINGLE STAGE PUMP	\$14,306.82
KME Fire App	N/A	HALE QMAX-200 2000 GPM SINGLE STAGE PUMP	\$14,306.82
KME Fire App	N/A	WATEROUS CSU-C20-1250 SINGLE STAGE PUMP	\$14,235.25
KME Fire App	N/A	WATEROUS CSU-C20-1500 SINGLE STAGE PUMP	\$14,235.25
KME Fire App	N/A	WATEROUS CSU-C20-1750 SINGLE STAGE PUMP	\$14,235.25
KME Fire App	N/A	HALE MG-500, 500 GPM PUMP - PTO	\$ 9,472.76
KME Fire App	N/A	HALE MG-750, 750 GPM PUMP - PTO	\$ 9,472.76
KME Fire App	N/A	HALE HP100X-BD26 AUXILIARY PUMP MTD. IN DUNNAGE AREA	\$10,566.66
KME Fire App	N/A	CHELSEA "PTO" UNIT HALE MG PTO PUMP	\$ 1,462.41
KME Fire App	N/A	HALE AIR SHIFT, ALL HALE	\$ 249.54
KME Fire App	N/A	WATEROUS AIR SHIFT	\$ 249.54
KME Fire App	N/A	HALE PUMP SHIFT INDICATOR LIGHTS	\$ 67.70
KME Fire App	N/A	WATEROUS PUMP SHIFT INDICATOR LIGHTS	\$ 67.70
KME Fire App	N/A	PTO PUMP SHIFT INDICATOR LIGHTS	\$ 238.90
KME Fire App	N/A	PUMP MOUNTS - MID-SHIP PUMPS	\$ 1,290.24
KME Fire App	N/A	PUMP MOUNTS - PTO PUMPS	\$ 1,041.67
KME Fire App	N/A	MANIFOLD - DISCHARGE & SUCTION FOR UP TO 500 GPM PUMPS	\$ 2,908.37
KME Fire App	N/A	MANIFOLD - DISCHARGE & SUCTION FOR UP TO 750-1000 GPM PUMPS	\$ 3,180.15



Kovatch Mobile Equipment/KME Fire Apparatus

KME Fire App	N/A	FIRE RESEARCH "IN CONTROL" TGA-300 PRESSURE GOVERNOR	\$ 1,610.39
KME Fire App	N/A	AKRON STYLE #59 INTAKE RELIEF VALVE	\$ 264.05
KME Fire App	N/A	PUMP UL CERTIFICATION - 500 GPM & UP	\$ 1,028.13
KME Fire App	N/A	HALE OIL-LESS PRIMER	\$ 1,084.23
KME Fire App	N/A	HALE PANEL MOUNT PRIMER VALVE	\$ 282.42
KME Fire App	N/A	WATEROUS VPO OIL-LESS PRIMER	\$ 834.69
KME Fire App	N/A	WATEROUS PRIMER VALVE	\$ 343.36
KME Fire App	N/A	DRIVER SIDE MIV VALVE	\$ 124.77
KME Fire App	N/A	OFFICER SIDE MIV VALVE	\$ 124.77
KME Fire App	N/A	ROTARY MASTER DRAIN VALVE	\$ 256.31
KME Fire App	N/A	WATEROUS MASTER DRAIN VALVE	\$ 381.08
KME Fire App	N/A	DRAINS/BLEEDER "TRIDENT" 1/4 TURN @ ALL 1-1/2" OR LARGER	\$ 349.16
KME Fire App	N/A	SYNFLEX SUCTION, DISCHARGE, PRESSURE AND CONTROL LINES	\$ 455.55
KME Fire App	N/A	PUMP MODULES TOP MOUNT	\$ 9,575.28
KME Fire App	N/A	COLD CLIMATE - PUMP ENCLOSURE INSULATION - SIDE MOUNT	\$ 2,880.32
KME Fire App	N/A	COLD CLIMATE - PUMP ENCLOSURE INSULATION - TOP MOUNT	\$ 3,525.44
KME Fire App	N/A	TWO (2) HADES HOT WATER HEATERS FOR PUMP ENCLOSURE	\$ 1,065.85
KME Fire App	N/A	PUMP ENCLOSURE HEAT PAN	\$ 799.87
KME Fire App	N/A	HALE MIV HANDWHEEL CONTROLLED BUTTERFLY VALVE @ DS INLET	\$ 1,655.85
KME Fire App	N/A	HALE MIV ELECTRICALLY CONTROLLED BUTTERFLY VALVE @ DS INLET	\$ 2,371.57



Kovatch Mobile Equipment/KME Fire Apparatus

KME Fire App	N/A	WATEROUS PNEUMATIC MONARCH VALVE DS MAIN INLET	\$ 3,332.00
KME Fire App	N/A	WATEROUS ELECTRIC MONARCH VALVE DS MAIN INLET	\$ 3,782.72
KME Fire App	N/A	WATEROUS MANUAL MONARCH VALVE DS MAIN INLET	\$ 2,975.11
KME Fire App	N/A	4" NST MAIN PUMP SUCTION PRESSURE VENTED CAPS	\$ 178.93
KME Fire App	N/A	4 1/2" NST MAIN PUMP SUCTION PRESSURE VENTED CAPS	\$ 240.83
KME Fire App	N/A	6" NST MAIN PUMP SUCTION PRESSURE VENTED CAPS	\$ 259.21
KME Fire App	N/A	SUCT TO TERMINATE,RH OF FRNT BUMPER WITH FIXED INLET	\$ 294.03
KME Fire App	N/A	SUCT TO TERMINATE THROUGH RH FRONT FACE OF BUMPER	\$ 295.96
KME Fire App	N/A	5" NST MALE THREADS ON FRONT SUCTION	\$ 353.03
KME Fire App	N/A	6" NST MALE THREADS ON FRONT SUCTION	\$ 348.19
KME Fire App	N/A	FRONT SUCTION, PLUMBING, 5" BLACK IRON PIPING	\$ 2,188.77
KME Fire App	N/A	BRAY 5" BUTTERFLY VALVE FOR FRONT SUCTION	\$ 866.61
KME Fire App	N/A	BRAY 5" BUTTERFLY VALVE FOR FRONT SUCTION	\$ 866.61
KME Fire App	N/A	BRAY AIR CONTROL VALVE CONTROL FOR FRONT SUCTION	\$ 340.45
KME Fire App	N/A	5" NST FRONT SUCTION PRESSURE VENTED CAP	\$ 245.67
KME Fire App	N/A	6" NST FRONT SUCTION PRESSURE VENTED CAP	\$ 259.21
KME Fire App	N/A	REAR SUCTION TERMINATE AS DIRECTED BY ENGINEERING	\$ 909.17
KME Fire App	N/A	5" NST MALE THREADS ON REAR SUCTION	\$ 402.36
KME Fire App	N/A	6" NST MALE THREADS ON REAR SUCTION	\$ 348.19



Kovatch Mobile Equipment/KME Fire Apparatus

KME Fire App	N/A	REAR SUCTION, PLUMBING, 5" BLACK IRON PIPING	\$ 2,188.77
KME Fire App	N/A	BRAY 5" BUTTERFLY VALVE FOR REAR SUCTION	\$ 764.09
KME Fire App	N/A	BRAY AIR CONTROL VALVE CONTROL FOR REAR SUCTION	\$ 295.00
KME Fire App	N/A	5" NST REAR SUCTION PRESSURE VENTED CAP	\$ 245.67
KME Fire App	N/A	6" NST REAR SUCTION PRESSURE VENTED CAP	\$ 259.21
KME Fire App	N/A	2 1/2" AUX. SIDE SUCTION @ DS PANEL TO REAR OF MAIN INLET	\$ 102.52
KME Fire App	N/A	2 1/2" AKRON #8800 S.S. BALL VALVE, DS REAR AUX SUCTION	\$ 532.93
KME Fire App	N/A	SWING CONTROL @ VALVE, DS REAR AUX SUCTION	\$ 29.98
KME Fire App	N/A	TANK TO PUMP 3" - PUMPER - TOP MOUNT	\$ 247.60
KME Fire App	N/A	3" AKRON #8800 SERIES - S.S. BALL, TANK TO PUMP - TM	\$ 655.76
KME Fire App	N/A	3" PUSH/PULL CONTROL FOR TANK TO PUMP - TOP MOUNT	\$ 137.34
KME Fire App	N/A	TANK FILL LINE 2" FROM PUMP - TOP MOUNT PANEL	\$ 232.13
KME Fire App	N/A	2" AKRON #8800 S.S. BALL VALVE FOR TANK FILL - TOP MOU	\$ 348.19
KME Fire App	N/A	PUSH/PULL CONTROL FOR TANK FILL - TOP MOUNT	\$ 137.34
KME Fire App	N/A	SIDE DISCHARGES	\$ 1,155.80
KME Fire App	N/A	CROSSLAY DISCHARGE	\$ 1,832.84
KME Fire App	N/A	VINYL CROSSLAY COVER	\$ 354.00
KME Fire App	N/A	TOP MOUNT PUMP PANEL - PUMPER	\$ 3,742.10
KME Fire App	N/A	TOP MOUNT GAUGE PANEL - 14 GAUGE BRUSHED STAINLESS STEEL	\$ 239.87
KME Fire App	N/A	TOP MOUNT SIDE PANELS - 14 GA. BRUSHED STAINLESS STEEL	\$ 472.96
KME Fire App	N/A	PUMP PANEL TRIM PLATE,	\$ 179.90



Kovatch Mobile Equipment/KME Fire Apparatus

		POLISHED STAINLESS STEEL	
KME Fire App	N/A	DISCHARGE GAUGE TRIM BEZELS	\$ 86.08
KME Fire App	N/A	PUMP OPERATOR'S PANEL LIGHT SHIELD - TOP-MOUNT	\$ 164.42
KME Fire App	N/A	WELDON #2630 HALOGEN LIGHTS - PANEL TOP-MOUNT	\$ 236.00
KME Fire App	N/A	WELDON #9186 HALOGEN LIGHTS - DS TOP-MOUNT	\$ 88.98
KME Fire App	N/A	WELDON #9186 HALOGEN LIGHTS - WALKWAY TOP- MOUNT	\$ 88.98
KME Fire App	N/A	WELDON #9186 HALOGEN LIGHTS - OS PUMP PANEL	\$ 88.98
KME Fire App	N/A	AUXILIARY ENGINE COOLER	\$ 93.82
KME Fire App	N/A	FIRE RES - TANK VISION #WLA200-A00 LED WATER TANK GAUGE - PU	\$ 354.96
KME Fire App	N/A	FIRE RES WATER LEVEL - 1/4" NPT PRESS TRANS @ BOTTOM TANK	\$ 33.85
KME Fire App	N/A	PUMPHOUSE & PLUMBING PAINTED BLACK - PUMPER	\$ 635.45
KME Fire App	N/A	DRIVER REAR DISCHARGE	\$ 2,514.72
KME Fire App	N/A	DS HOSE BED DISCHARGE	\$ 1,532.04
KME Fire App	N/A	DECK GUN DISCHARGE	\$ 1,545.59
KME Fire App	N/A	FRONT DISCHARGE	\$ 1,805.76
KME Fire App	N/A	CROSSLAY #1 DISCHARGE	\$ 1,733.22
KME Fire App	N/A	DEADLAY HOSE STORAGE ABOVE PUMP, 200' OF 1-3/4" HOSE	\$ 665.43
KME Fire App	N/A	ONE (1) ADDITIONAL SPEEDLAY TRAY	\$ 564.84
KME Fire App	N/A	TWO (2) ADDITIONAL SPEEDLAY TRAYS	\$ 1,129.69
KME Fire App	N/A	STAINLESS STEEL ROLLERS - ONE CROSSLAY	\$ 318.21
KME Fire App	N/A	STAINLESS STEEL ROLLERS - TWO CROSSLAYS	\$ 533.89
KME Fire App	N/A	LOWERED CROSSLAYS	\$ 533.89



Kovatch Mobile Equipment/KME Fire Apparatus

KME Fire App	N/A	FRONT HINGED CROSSLAY HOSE BED COVER, TRDPLT	\$ 317.24
KME Fire App	N/A	VINYL CROSSLAY COVER	\$ 354.00
KME Fire App	N/A	VINYL CROSSLAY COVER	\$ 354.00
KME Fire App	N/A	VINYL END FLAPS FOR ALUMINUM TRDPLT X-LAY COVER	\$ 229.23
KME Fire App	N/A	VINYL END FLAPS FOR SPEEDLAYS	\$ 354.00
KME Fire App	N/A	WELL DISCHARGE - DS	\$ 1,804.80
KME Fire App	N/A	BOOSTER REEL #1 DISCHARGE	\$ 1,804.80
KME Fire App	N/A	BOOSTER REEL #1- PAINTED STEEL	\$ 1,082.30
KME Fire App	N/A	BOOSTER REEL #1 - HANNAY ALUMINUM	\$ 1,621.03
KME Fire App	N/A	HOSE REEL #1 REWIND DRIVER'S SIDE PUMP PANEL	\$ 102.52
KME Fire App	N/A	HOSE REEL #1 REWIND DRIVER'S SIDE PUMP PANEL	\$ 102.52
KME Fire App	N/A	HOSE REEL #1 REWIND REAR BODY PANEL	\$ 116.06
KME Fire App	N/A	HOSE REEL #1 REWIND MOUNTED NEAR REEL	\$ 88.98
KME Fire App	N/A	HOSE REEL #1 REWIND PUMP PANEL	\$ 102.52
KME Fire App	N/A	BOOSTER REEL #1 HOSE, 250' OF 1" HOSE	\$ 1,196.43
KME Fire App	N/A	BOOSTER REEL #1 HOSE, 200' OF 1" HOSE	\$ 916.91
KME Fire App	N/A	BOOSTER REEL #1 BLOWOUT, SPECIFY WHAT REEL	\$ 161.52
KME Fire App	N/A	ELKHART SIDEWINDER # 8494- 01 BUMPER TURRET, 125 GPM - 2"	\$ 5,522.71
KME Fire App	N/A	AKRON FIREFOX # 3463 BUMPER TURRET, 350 GPM - 2 1/2"	\$ 8,562.62
KME Fire App	N/A	BUMPER TURRET, PLUMBING, 2" STEEL PIPING	\$ 963.33
KME Fire App	N/A	BUMPER TURRET, PLUMBING, 2 1/2" STEEL PIPING	\$ 1,077.46



Kovatch Mobile Equipment/KME Fire Apparatus

KME Fire App	N/A	AIR OPERATED CONTROL, BUMPER TURRET IN CAB	\$ 517.45
KME Fire App	N/A	AIR OPERATED CONTROL, BUMPER TURRET IN CAB	\$ 517.45
KME Fire App	N/A	NO-SHOK SILICONE 2 1/2" PRESS GAUGE SS - BUMPER TURRET	\$ 49.33
KME Fire App	N/A	FRONT GROUND SWEEP DISCHARGE	\$ -
KME Fire App	N/A	2" FRONT BUMPER SWEEP DISCHARGE	\$ 675.11
KME Fire App	N/A	SWEEP DISCHARGE, PLUMBING, 2" STEEL PIPING	\$ 963.33
KME Fire App	N/A	2" AKRON #8800 SERIES - S.S. BALL, VALVE, SWEEP DISCHARGE	\$ 480.70
KME Fire App	N/A	2" AKRON #9313 ELECTRIC VALVE CONTROL FOR SWEEP DISCHARGE	\$ 1,215.77
KME Fire App	N/A	NO-SHOK SILICONE 2 1/2" PRESS GAUGE SS - SWEEP DISCHARGE	\$ 49.33
KME Fire App	N/A	UNDER TRUCK PROTECTION SYSTEM	\$ -
KME Fire App	N/A	2" UNDER TRUCK PROTECTION DISCHARGE	\$ 668.34
KME Fire App	N/A	UNDER TRUCK DISCH, PLUMBING, 2" STAINLESS STEEL PIPING	\$ 1,403.41
KME Fire App	N/A	2" AKRON #8800 SERIES - S.S. BALL, VALVE, UNDER TRUCK	\$ 480.70
KME Fire App	N/A	2" AKRON #9313 ELECTRIC VALVE CONTROL FOR UNDER TRUCK DISCHA	\$ 1,215.77
KME Fire App	N/A	NO-SHOK SILICONE 2 1/2" PRESS GAUGE SS - UNDER TRUCK DISCHAR	\$ 49.33
KME Fire App	N/A	FOAMPRO 1601 CLASS "A" FOAM SYSTEM	\$ 4,655.13
KME Fire App	N/A	FOAMPRO 1600 CLASS "A" FOAM SYSTEM	\$ 4,519.73
KME Fire App	N/A	FOAMPRO 2001 CLASS "A and/or B" FOAM SYSTEM	\$ 6,724.94



Kovatch Mobile Equipment/KME Fire Apparatus

KME Fire App	N/A	FOAMPRO 2002 CLASS "A and/or B" FOAM SYSTEM	\$ 8,381.76
KME Fire App	N/A	HALE FOAMLOGIX 2.1 CLASS "A" FOAM SYSTEM	\$ 4,291.47
KME Fire App	N/A	HALE FOAMLOGIX 3.3 CLASS "A and/or B" FOAM SYSTEM	\$ 8,591.64
KME Fire App	N/A	WATEROUS ADVANTUS 3 CLASS "A and/or B" FOAM SYSTEM	\$ 6,729.78
KME Fire App	N/A	WATEROUS AQUIS 1.5 CLASS "A" FOAM SYSTEM	\$ 3,608.62
KME Fire App	N/A	INJECTION SYSTEM PLUMBING - UP TO 500 GPM	\$ 341.42
KME Fire App	N/A	INJECTION SYSTEM DISCHARGE/S - FOAMPRO 1601, UP TO 500 GPM	\$ 1,131.62
KME Fire App	N/A	INJECTION SYSTEM DISCHARGE/S - FOAMPRO 1600, UP TO 500 GPM	\$ 961.40
KME Fire App	N/A	INJECTION SYSTEM DISCHARGE/S - FOAMPRO 2001, UP TO 500 GPM	\$ 1,131.62
KME Fire App	N/A	INJECTION SYSTEM DISCHARGE/S - FOAMPRO 2002, UP TO 500 GPM	\$ 1,131.62
KME Fire App	N/A	INJECTION SYSTEM DISCHARGE/S - FOAMLOGIX 2.1, UP TO 500 GPM	\$ 961.40
KME Fire App	N/A	INJECTION SYSTEM DISCHARGE/S - FOAMLOGIX 3.3, UP TO 500 GPM	\$ 1,131.62
KME Fire App	N/A	INJECTION SYSTEM DISCHARGE/S - ADVANTUS 3, UP TO 500 GPM	\$ 1,131.62
KME Fire App	N/A	INJECTION SYSTEM DISCHARGE/S - AQUIS 1.5 , UP TO 500 GPM	\$ 1,131.62
KME Fire App	N/A	WATEROUS ECLIPSE 1000 GPM/200 CFM - FOAMPRO 2002	\$57,196.34
KME Fire App	N/A	PNUEMAX CAFS PLATINUM 140-P, 140 CFM - FOAMPRO 2001	\$35,001.03
KME Fire App	N/A	PNUEMAX CAFS PLATINUM 200-P, 200 CFM - FOAMPRO 2002	\$39,810.92



Kovatch Mobile Equipment/KME Fire Apparatus

KME Fire App	N/A	HALE CAFS-PRO 1000 GPM/200 CFM - FOAMLOGIX 5.0	\$55,769.72
KME Fire App	N/A	FOAMPRO MANUAL DUAL TANK SLECTOR, A & B FOAM TANKS	\$ 1,443.06
KME Fire App	N/A	FOAMPRO ELECTRIC DUAL SELECTOR, A & B FOAM TANKS	\$ 2,399.62
KME Fire App	N/A	FOAMPRO POWER FILL FOAM TANK REFILL SYSTEM	\$ 2,160.72
KME Fire App	N/A	FIRE FOAM EQUIP. FOAM TRANSFER SYSTEM	\$ 954.63
KME Fire App	N/A	HALE EZ-FILL FOAM TANK REFILL SYS - DUAL TANK	\$ 2,478.93
KME Fire App	N/A	PAVEMENT COOLER	\$ 261.14
KME Fire App	N/A	GARDEN HOSE DISCHARGE ON OPERATOR'S PANEL	\$ 179.90
KME Fire App	N/A	TOP MOUNT PUMP PANEL - PUMPER	\$ 3,742.10
KME Fire App	N/A	TOP MOUNT GAUGE PANEL - 14 GAUGE BRUSHED STAINLESS STEEL	\$ 239.87
KME Fire App	N/A	TOP MOUNT SIDE PANELS - 14 GA. BRUSHED STAINLESS STEEL	\$ 472.96
KME Fire App	N/A	PUMP PANEL TRIM PLATE, POLISHED STAINLESS STEEL	\$ 179.90
KME Fire App	N/A	DISCHARGE GAUGE TRIM BEZELS	\$ 86.08
KME Fire App	N/A	IDENTIFICATION PLATES	\$ -
KME Fire App	N/A	PUMP OPERATOR'S PANEL LIGHT SHIELD - TOP-MOUNT	\$ 164.42
KME Fire App	N/A	WELDON #2630 HALOGEN LIGHTS - PANEL TOP-MOUNT	\$ 236.00
KME Fire App	N/A	DS PUMP PANEL LIGHTING - TOP-MOUNT	\$ -
KME Fire App	N/A	WELDON #9186 HALOGEN LIGHTS - DS TOP-MOUNT	\$ 88.98
KME Fire App	N/A	STEP LIGHTS FOR WALKWAY AREA - TOP MOUNT	\$ -
KME Fire App	N/A	WELDON #9186 HALOGEN LIGHTS - WALKWAY TOP-MOUNT	\$ 88.98
KME Fire App	N/A	OS PUMP PANEL LIGHTING	\$ -



Kovatch Mobile Equipment/KME Fire Apparatus

KME Fire App	N/A	WELDON #9186 HALOGEN LIGHTS - OS PUMP PANEL	\$ 88.98
KME Fire App	N/A	PUMP OPERATOR'S PANEL - TOP MOUNT, PUMPER	\$ -
KME Fire App	N/A	FIRE RESEARCH "MAN SAVER" BARS FOR TOP MOUNT WALKWAY	\$ 625.78
KME Fire App	N/A	TRANSMISSION OIL TEMPERATURE GAUGE ON PUMP PANEL	\$ 201.18
KME Fire App	N/A	AMMETER ON PUMP PANEL	\$ 255.34
KME Fire App	N/A	FUEL GAUGE ON PUMP PANEL (DO NOT USE ON COMMERCIAL CHASSIS)	\$ 158.62
KME Fire App	N/A	PUMP HOURMETER ON PUMP PANEL	\$ 155.72
KME Fire App	N/A	AIR HORN CONTROL BUTTON ON PUMP PANEL	\$ 149.92
KME Fire App	N/A	ENGINE HIGH IDLE SWITCH ON PUMP PANEL, ELECTRONIC ENGINES	\$ 149.92
KME Fire App	N/A	3/8" PUMP BY-PASS COOLER ON PUMP PANEL	\$ 172.16
KME Fire App	N/A	1/2" PUMP BY-PASS COOLER ON PUMP PANEL	\$ 172.16
KME Fire App	N/A	5/8" PUMP BY-PASS COOLER ON PUMP PANEL	\$ 172.16
KME Fire App	N/A	AIR INLET/OUTLET ON RIGHT SIDE PUMP PANEL	\$ 95.75
KME Fire App	N/A	SHUT-OFF VALVE FOR SPECIFIED AIR INLET/OUTLET	\$ 118.97
KME Fire App	N/A	AUXILIARY ENGINE COOLER	\$ 93.82
KME Fire App	N/A	WATER TANK LEVEL GAUGE - PUMPER	\$ -
KME Fire App	N/A	IC, SL ULTRA-BRIGHT 14 LIGHT LED WATER TANK GAUGE - PUMP	\$ 233.10
KME Fire App	N/A	IC, SL ULTRA-BRIGHT 10 LIGHT LED WATER TANK GAUGE - PUMP	\$ 227.29
KME Fire App	N/A	CLASS ONE "ITL" 4-LIGHT TANK LEVEL GAUGE - PUMP	\$ 357.86



Kovatch Mobile Equipment/KME Fire Apparatus

KME Fire App	N/A	CLASS ONE "ITL-40M" LED TANK LEVEL GAUGE - PUMP	\$ 436.21
KME Fire App	N/A	CLASS ONE "ITL" 4-LIGHT MINI TANK LEVEL GAUGE IN CAB	\$ 229.23
KME Fire App	N/A	FIRE RES - TANK VISION #WLA200-A00 LED WATER TANK GAUGE - PU	\$ 354.96
KME Fire App	N/A	IC WATER LEVEL - 1/4" NPT PRESS TRANSDUCER @ BOTTOM OF TANK	\$ 130.57
KME Fire App	N/A	IC WATER LEVEL - 1/4" NPT PRESS TRANSDUCER @ BOTTOM OF TANK	\$ 130.57
KME Fire App	N/A	CLASS ONE WATER LEVEL - 1/4" NPT PRESS TRANS @ BOTTOM TANK	\$ 110.26
KME Fire App	N/A	FIRE RES WATER LEVEL - 1/4" NPT PRESS TRANS @ BOTTOM TANK	\$ 33.85
KME Fire App	N/A	MONSTER WATER LEVEL GAUGE, EA. SIDE OF CAB - WHELEN 600 HAL	\$ 958.50
KME Fire App	N/A	MONSTER WATER LEVEL GAUGE, EA. SIDE OF CAB - WHELEN 600 LED	\$ 1,617.16
KME Fire App	N/A	MONSTER WATER LEVEL GAUGE, EA. SIDE OF BODY - WHELEN 600 HAL	\$ 958.50
KME Fire App	N/A	MONSTER WATER LEVEL GAUGE, EA. SIDE OF BODY - WHELEN 600 LED	\$ 1,617.16
KME Fire App	N/A	IC, SL ULTRA-BRIGHT 14 LIGHT LED FOAM TANK GAUGE - TANK "A"	\$ 233.10
KME Fire App	N/A	IC, SL ULTRA-BRIGHT 10 LIGHT LED FOAM TANK GAUGE - TANK "A"	\$ 227.29
KME Fire App	N/A	IC FOAM LEVEL - 1/4" NPT PRESS TRANSDUCER @ BOTTOM TANK "A"	\$ 130.57
KME Fire App	N/A	IC FOAM LEVEL - 1/4" NPT PRESS TRANSDUCER @ BOTTOM TANK "A"	\$ 130.57



Kovatch Mobile Equipment/KME Fire Apparatus

KME Fire App	N/A	PUMPHOUSE & PLUMBING PAINTED BLACK - PUMPER	\$ 635.45
KME Fire App	N/A	WATEROUS 5 YEAR ECLIPSE WARRANTY (PARTS ONLY)	\$ -
KME Fire App	N/A	SPECIFIED MIC BOX RECESSED IN LOCATION DETERMINED AT PRE-CON	\$ 67.70
KME Fire App	N/A	SPECIFIED MIC BOX RECESSED IN HIGH SIDE AIRPACK COMPT.	\$ 136.38
KME Fire App	N/A	SLIDE-OUT STEP @ DRIVER'S PUMP OPERATOR'S PANEL	\$ 676.07
KME Fire App	N/A	SLIDE-OUT STEP BELOW REAR TAILBOARD, FIRESTIX ONLY!!	\$ 747.65
KME Fire App	N/A	TANK 750 GAL POLY - PUMPERS & RESCUE PUMPERS	\$ 4,546.81
KME Fire App	N/A	TANK 1000 GAL POLY - PUMPERS	\$ 5,167.75
KME Fire App	N/A	TANK 1250 GAL POLY - PUMPER	\$ 5,947.31
KME Fire App	N/A	4" ID SLEEVE THRU TANK FOR REAR DISCHARGE / SUCTION	\$ 358.83
KME Fire App	N/A	(2) 4" ID SLEEVES THRU TANK FOR REAR DISCHARGE / SUCTION	\$ 716.70
KME Fire App	N/A	INTEGRAL FOAM TANK, 10 GAL. - TANKER, TANK "A"	\$ 683.81
KME Fire App	N/A	INTEGRAL FOAM TANK, 15 GAL. - TANKER, TANK "A"	\$ 733.14
KME Fire App	N/A	INTEGRAL FOAM TANK, 20 GAL. - TANKER, TANK "A"	\$ 733.14
KME Fire App	N/A	INTEGRAL FOAM TANK, 25 GAL. - TANKER, TANK "A"	\$ 802.78
KME Fire App	N/A	INTEGRAL FOAM TANK, 30 GAL. - TANKER, TANK "A"	\$ 802.78
KME Fire App	N/A	INTEGRAL FOAM TANK, 40 GAL. - TANKER, TANK "A"	\$ 884.02

All KME PUMPERS vehicles adhere to the following standards:

- NFPA, 1901 Standard, Current Addition
- Miscellaneous loose equipment not included



Kovatch Mobile Equipment/KME Fire Apparatus

RESCUES

KME Fire App	RSLT84	LIGHT RESCUE 84CA 4X44-DR	\$115,288.00
KME Fire App	RSLT842	LIGHT RESCUE 84CA 4X4 2-DR	\$111,164.00
KME Fire App	RSLT602	LIGHT RESCUE 60CA 4X4 2-DR	\$111,558.00
KME Fire App	RSLT604	LIGHT RESCUE 60CA 4X4 4-DR	\$114,560.00
KME Fire App	RSMD4DR207	MEDIUM RESCUE 4400 4X2 4-DR	\$203,577.00
KME Fire App	RSMD4DR181	MEDIUM RESCUE 4400 4X2 4DR 181	\$198,677.00
KME Fire App	RSMD2DR207	MEDIUM RESCUE 4400 4X2 2-DR 207	\$194,083.00
KME Fire App	RSMD2DR181	MEDIUM RESCUE 4400 4X2 2-DR	\$188,393.00
KME Fire App	RSCM207	MEDIUM RESCUE CUSTOM 207	\$224,444.00
KME Fire App	RSCM181	MEDIUM RESCUE CUSTOM 181	\$221,182.00
KME Fire App	RSHV278	HEAVY RESCUE CUSTOM TA 278	\$348,158.00
KME Fire App	RSHV258	HEAVY RESCUE CUSTOMTA 258	\$337,975.00
KME Fire App	RSCM191	COMMERCIAL WALK AROUND 191	\$184,263.00
KME Fire App	RSCMWI191	COMMERCIAL WALK IN 191	\$202,892.00



Kovatch Mobile Equipment/KME Fire Apparatus

RESCUES OPTIONS

KME Fire App	N/A	9,000# WINCH, WARN SEMI HIDDEN, W/6" BUMPER EXT	\$ 2,048.53
KME Fire App	N/A	12,000# WINCH, WARN SEMI HIDDEN, W/6" BUMPER EXT	\$ 2,162.66
KME Fire App	N/A	WHEEL TRIM KITS, CHROME BABY MOONS/LUG NUT COVERS	\$ 211.82
KME Fire App	N/A	CAB RUNNING BOARDS, 2-DOOR	\$ 517.45
KME Fire App	N/A	CAB RUNNING BOARDS, 4-DOOR	\$ 677.04
KME Fire App	N/A	CENTER CONSOLE, F-550 2 DOOR	\$ 571.62
KME Fire App	N/A	CENTER CONSOLE, F-550 4 DOOR	\$ 571.62
KME Fire App	N/A	INSTALL STANDARD #MATM ANTENNA	\$ 164.42
KME Fire App	N/A	RAPPELLING HITCH	\$ 159.59
KME Fire App	N/A	TWELVE (12) INCH FRONT BUMPER EXTENSION	\$ 1,651.01
KME Fire App	N/A	SIXTEEN (16) INCH FRONT BUMPER EXTENSION	\$ 1,694.53
KME Fire App	N/A	WINCH RECEIVER POINT - FRONT OF CHASSIS	\$ 1,271.87
KME Fire App	N/A	COFFIN COMPARTMENTS, DRIVERS SIDE	\$ 3,758.54
KME Fire App	N/A	COFFIN COMPARTMENTS, OFFICERS SIDE	\$ 3,758.54
KME Fire App	N/A	MANUAL PULL OUT STEP	\$ 595.80
KME Fire App	N/A	WINCH RECEIVER POINT - REAR OF BODY	\$ 1,271.87
KME Fire App	N/A	WINCH RECEIVER POINT - EACH SIDE OF BODY	\$ 1,749.66
KME Fire App	N/A	TRAILER HITCH & RECEIVER	\$ 1,271.87
KME Fire App	N/A	7 FLAT PIN TRAILER CONNECTION	\$ 193.44
KME Fire App	N/A	7 FLAT PIN TRAILER CONNECTION WITH BRAKE CONTROLLER	\$ 500.04
KME Fire App	N/A	LED Light Bar	\$ 972.04
KME Fire App	N/A	LED Compartment Light (ea)	\$ 135.41
KME Fire App	N/A	Color Back up Camera	\$ 1,034.90
KME Fire App	N/A	20amp Auto Eject	\$ 339.49



Kovatch Mobile Equipment/KME Fire Apparatus

KME Fire App	N/A	Battery Charger 12HO	\$ 828.89
KME Fire App	N/A	SUNNEX MODEL #700, GOOSE NECK MAP LIGHT AT CENTER OF DASH	\$ 139.28
KME Fire App	N/A	OPTRONICS KB4001, "BLUE EYE" HANDHELD SPOTLIGHT ON RIGHT SID	\$ 113.16
KME Fire App	N/A	TWO (2) UNITY CAB CORNER SPOT LIGHTS	\$ 403.32
KME Fire App	N/A	12 VOLT CIGARETTE LIGHTER LOCATED IN CAB AS DIRECTED	\$ 88.98
KME Fire App	N/A	WHELEN #600 LED BRAKE, REVERSE, TURN W/ QUAD HOUSING	\$ 1,198.36
KME Fire App	N/A	FRONT WHELEN 900 SERIES SUPER LED, 90RR5FRR	\$ 478.76
KME Fire App	N/A	ZICO #ZQL-SS-H7614 QUIC-LIGHTS IN REAR WHEELWELL PANELS	\$ 500.04
KME Fire App	N/A	WHELEN 900 SERIES OPTI-SCENE LIGHTS ON REAR OF BODY	\$ 496.17
KME Fire App	N/A	REAR SCENE LIGHTS TO BE ACTIVATED BY REVERSE LIGHTS	\$ 153.78
KME Fire App	N/A	GROUND LIGHTS, 2 LED UNDER FRONT BUMPER FACING FORWARD - TLL	\$ 303.70
KME Fire App	N/A	FRC BROW LIGHT, OPTIMUM, 150W12V HID, (1) ABOVE WINDSHIELD	\$ 988.48
KME Fire App	N/A	FRC BROW LIGHT, FOCUS, 150W12V, (1) ABOVE WINDSHIELD	\$ 578.39
KME Fire App	N/A	WHELEN PIONEER #PFA1 BROW LIGHT, 38W12V LED (1) ABOVE WINDSHIELD	\$ 678.97
KME Fire App	N/A	WHELEN PIONEER #PFA1 BROW LIGHT, 38W12V LED (2) ABOVE WINDSHIELD	\$ 1,356.98
KME Fire App	N/A	CONTROL SWITCHES IN CAB FOR LIGHTS ABOVE WINDSHIELD	\$ 176.03
KME Fire App	N/A	RV STYLE AWNING FULL LENGTH DRIVER SIDE (3 COMPARTMENT	\$ 2,241.00
KME Fire App	N/A	RV STYLE AWNING FULL LENGTH DRIVER SIDE (4 COMPARTMENT	\$ 2,337.72
KME Fire App	N/A	RV STYLE AWNING FULL LENGTH DRIVER SIDE (5 COMPARTMENT	\$ 2,399.62
KME Fire App	N/A	TREAD PLATE OVERLAY ON EACH SIDE BODY FENDER	\$ 557.11
KME Fire App	N/A	KME ROOF ACCESS LADDER	\$ 1,151.94
KME Fire App	N/A	ZICO ROOF ACCESS LADDER	\$ 1,533.98
KME Fire App	N/A	ABSORBENT BIN WITH ROOF	\$ 2,002.10



Kovatch Mobile Equipment/KME Fire Apparatus

		COMPARTMENTS	
KME Fire App	N/A	PROTECTION PANELS FOR ROLL-UP DOORS, BRUSHED ALUMINUM EACH	\$ 113.16
KME Fire App	N/A	KEYED DOOR LOCKS, HINGED OR ROLL-UP DOORS EACH	\$ 63.84
KME Fire App	N/A	STAINLESS DOOR SILL PROTECTORS INSIDE ALL BODY COMP'TS	\$ 516.48
KME Fire App	N/A	POLISHED S.S. SCUFF PLATES, FULL HEIGHT OF REAR BODY CORNERS	\$ 328.85
KME Fire App	N/A	TREAD PLATE OVERLAY, FLOOR OF OPEN SKID BODY	\$ 425.57
KME Fire App	N/A	GRAB RAILS, KNURLED ALUMINUM EXTRUSION	\$ 165.39
KME Fire App	N/A	TWO (2) VERTICAL RAILS ON REAR	\$ 233.10
KME Fire App	N/A	ALUMINUM WHEEL WELL LINERS	\$ 382.04
KME Fire App	N/A	STAINLESS STEEL WHEEL WELL LINERS, SINGLE AXLE BODY	\$ 903.36
KME Fire App	N/A	TWO (2) SCBA BOTTLE STORAGE COMPARTMENTS	\$ 613.20
KME Fire App	N/A	FOUR (4) SCBA BOTTLE STORAGE COMPARTMENTS	\$ 1,157.74
KME Fire App	N/A	ADJUSTABLE SHELF(S), MOUNTED AS DIRECTED EACH	\$ 294.03
KME Fire App	N/A	ROLLOUT TRAY(S), MOUNTED AS DIRECTED EACH	\$ 575.48
KME Fire App	N/A	ROLLOUT TRAY(S), MOUNTED AS DIRECTED EACH	\$ 893.69
KME Fire App	N/A	ADJUSTABLE ROLLOUT TRAY(S), MOUNTED AS DIRECTED EACH	\$ 575.48
KME Fire App	N/A	ROLLOUT DROP DOWN TRAY(S), MOUNTED AS DIRECTED EACH	\$ 846.30
KME Fire App	N/A	VERT DIVIDER(S), AS DIRECTED BY FIRE DEPARTMENT EACH	\$ 313.37
KME Fire App	N/A	VERT DIVIDER(S), AS DIRECTED BY FIRE DEPARTMENT EACH	\$ 392.68
KME Fire App	N/A	TRANSVERSE ROLL OUT TRAY, MOUNTED AS DIRECTED EACH	\$ 1,330.87
KME Fire App	N/A	SWING OUT TOOL BOARD, 3/16" ALUMINUM EACH	\$ 561.94
KME Fire App	N/A	SWING OUT TOOL BOARD, PAC TRAC DOUBLE FACED EXTRUSION	\$ 828.89
KME Fire App	N/A	VERTICAL PULL OUT TOOL BOARD,	\$ 718.63



Kovatch Mobile Equipment/KME Fire Apparatus

		3/16" ALUMINUM, #250 CAPACITY EACH	
KME Fire App	N/A	TRANSVERSE PULL OUT TOOL BOARD, 3/16" ALUM (FIXED) EACH	\$ 1,330.87
KME Fire App	N/A	TRANSVERSE PULL OUT TOOL BOARD, 3/16" ALUM (ADJUSTABLE) EACH	\$ 1,500.13
KME Fire App	N/A	VERTICAL PULL OUT TOOL BOARD, PACTRAC DOUBLE FACED EXTRUSION EACH	\$ 1,038.77
KME Fire App	N/A	MARINE GRADE 3/4" PLYWOOD ON REAR WALL OF SPECIFIED COMPT. EACH	\$ 264.05
KME Fire App	N/A	PEGBOARD MATERIAL ON REAR WALL OF SPECIFIED COMPT. EACH	\$ 407.19
KME Fire App	N/A	DRI-DECK MATERIAL ON ALL COMPARTMENT FLOORS (RESCUE)	\$ 1,170.31
KME Fire App	N/A	HANNAY ELECTRIC REWIND HYDRAULIC HOSE REEL #2016-17-18 NO HOSE	\$ 948.82
KME Fire App	N/A	STAINLESS STEEL, 4 WAY ROLLER ASSEMBLY	\$ 144.11
KME Fire App	N/A	HANNAY #1500 ELECTRIC REWIND AIR REEL WITH HOSE	\$ 937.22
KME Fire App	N/A	STAINLESS STEEL, 4 WAY ROLLER ASSEMBLY	\$ 144.11
KME Fire App	N/A	100' OF GOODYEAR 3/8" AIR HOSE w/ STOP	\$ 329.82
KME Fire App	N/A	ONAN 15000WATT PROTEC DIRECT DRIVE PTO GENERATOR	\$ 15,658.97
KME Fire App	N/A	ONAN 20000WATT PROTEC DIRECT DRIVE PTO GENERATOR	\$ 15,740.21
KME Fire App	N/A	ONAN 25000WATT PROTEC DIRECT DRIVE PTO GENERATOR	\$ 16,081.63
KME Fire App	N/A	ONAN 3000WATT PROTEC DIRECT DRIVE PTO GENERATOR	\$ 16,650.35
KME Fire App	N/A	ONAN 35000WATT PROTEC DIRECT DRIVE PTO GENERATOR	\$ 16,960.82
KME Fire App	N/A	UNDER THE HOOD RAVEN 7000WATT GENERATOR	\$ 9,799.67
KME Fire App	N/A	ONAN #HDKAL 7500 WATT STANDARD DIESEL GENERATOR	\$ 8,418.51
KME Fire App	N/A	HONDA #EM3800 WATT PORTABLE GAS GENERATOR	\$ 3,275.91



Kovatch Mobile Equipment/KME Fire Apparatus

KME Fire App	N/A	PORTABLE GENERATOR BREAKER PANEL CONNECTION	\$ 594.83
KME Fire App	N/A	PTO GENERATOR CONTROLS @ PUMP PANEL	\$ 409.13
KME Fire App	N/A	PTO GENERATOR CONTROLS @ BREAKER PANEL	\$ 409.13
KME Fire App	N/A	GENERATOR RUNNING LIGHT (110 VOLT) ON CAB DASH	\$ 124.77
KME Fire App	N/A	GENERATOR RUNNING LIGHT (110 VOLT) ON PUMP PANEL	\$ 124.77
KME Fire App	N/A	TWELVE (12) SPACE, 125 AMP MAIN LUG LOAD CENTER	\$ 576.45
KME Fire App	N/A	TEN (10) STANDARD BREAKERS	\$ 45.46
KME Fire App	N/A	LOCATE BREAKER PANEL AS DIRECTED BY FIRE DEPARTMENT	\$ 385.91
KME Fire App	N/A	NEMA L5-20 SINGLE RECEPTACLES BUMPER END CAPS	\$ 284.36
KME Fire App	N/A	NEMA L5-20 SINGLE RECEPTACLES LH & RH PUMP PANEL	\$ 284.36
KME Fire App	N/A	NEMA L5-20 SINGLE RECEPTACLES REAR WHEEL WELLS	\$ 284.36
KME Fire App	N/A	NEMA L5-20 SINGLE RECEPTACLES REAR BODY PANEL	\$ 284.36
KME Fire App	N/A	NEMA L5-20 SINGLE RECEPTACLES FRONT FACE OF BODY	\$ 284.36
KME Fire App	N/A	NEMA L5-20 SINGLE RECEPTACLES EXTERIOR REAR WALL OF CAB	\$ 284.36
KME Fire App	N/A	NEMA 5-20 SINGLE RECEPTACLES BUMPER END CAPS	\$ 280.49
KME Fire App	N/A	NEMA 5-20 SINGLE RECEPTACLES LH & RH PUMP PANEL	\$ 280.49
KME Fire App	N/A	NEMA 5-20 SINGLE RECEPTACLES REAR WHEEL WELLS	\$ 280.49
KME Fire App	N/A	NEMA 5-20 SINGLE RECEPTACLES REAR BODY PANEL	\$ 280.49
KME Fire App	N/A	NEMA 5-20 SINGLE RECEPTACLES FRONT FACE OF BODY	\$ 280.49
KME Fire App	N/A	NEMA 5-20 SINGLE RECEPTACLE NEXT TO BREAKER PANEL	\$ 141.21
KME Fire App	N/A	NEMA 5-20 SINGLE RECEPTACLE MOUNTED AS DIRECTED BY F.D.	\$ 141.21
KME Fire App	N/A	ONE (1) 13 INCH OUTLET STRIP	\$ 176.03



Kovatch Mobile Equipment/KME Fire Apparatus

KME Fire App	N/A	ONE (1) 3' LONG OUTLET STRIP	\$ 187.64
KME Fire App	N/A	FIRE RESEARCH 500 WATT TELE LIGHTHEAD	\$ 677.04
KME Fire App	N/A	FIRE RESEARCH 1000W/240V TELE LIGHTHEAD	\$ 772.79
KME Fire App	N/A	FIRE RESEARCH 1500W/240V TELE LIGHTHEAD	\$ 784.40
KME Fire App	N/A	FIRE RESEARCH 500 WATT "OPTIMUM" RECESSED LIGHTHEAD	\$ 614.17
KME Fire App	N/A	FIRE RESEARCH 750W/120V "OPTIMUM" RECESSED LIGHTHEAD	\$ 614.17
KME Fire App	N/A	FIRE RESEARCH 1000W/120V "OPTIMUM" RECESSED LIGHTHEAD	\$ 746.68
KME Fire App	N/A	FIRE RESEARCH 1500W/240V "OPTIMUM" RECESSED LIGHTHEAD	\$ 746.68
KME Fire App	N/A	FIRE RESEARCH 500 WATT "OPTIMUM" RECESSED LIGHTHEAD	\$ 614.17
KME Fire App	N/A	FIRE RESEARCH 750W/120V "OPTIMUM" RECESSED LIGHTHEAD	\$ 614.17
KME Fire App	N/A	FIRE RESEARCH 1000W/120V "OPTIMUM" RECESSED LIGHTHEAD	\$ 746.68
KME Fire App	N/A	FIRE RESEARCH 1500W/240V "OPTIMUM" RECESSED LIGHTHEAD	\$ 746.68
KME Fire App	N/A	FIRE RESEARCH 500 WATT "FOCUS" BROW LIGHTHEAD	\$ 286.29
KME Fire App	N/A	FIRE RESEARCH 750W/120V "FOCUS" BROW LIGHTHEAD	\$ 297.90
KME Fire App	N/A	FIRE RESEARCH 1000W/120V "FOCUS" BROW LIGHTHEAD	\$ 339.49
KME Fire App	N/A	FIRE RESEARCH 1500W/240V "FOCUS" BROW LIGHTHEAD	\$ 350.13
KME Fire App	N/A	COMMAND LIGHT, CL605, 6-500W/120V	\$ 13,247.74
KME Fire App	N/A	COMMAND LIGHT, CL611, 6-1000W/240V	\$ 13,247.74
KME Fire App	N/A	COMMAND LIGHT, CL615, 6-1500W/240V	\$ 13,247.74
KME Fire App	N/A	COMMAND LIGHT, KNIGHT-2 KL435, 6-350W/120V	\$ 9,544.33
KME Fire App	N/A	COMMAND LIGHT, SHADOW SS345, 4-500W/120V	\$ 4,118.34
KME Fire App	N/A	COMMAND LIGHT - BACK LIGHTING OPTION	\$ 3,511.90
KME Fire App	N/A	NIGHTSCAN 1.8, RCP 1500 OP, 2-	\$ 8,128.35



Kovatch Mobile Equipment/KME Fire Apparatus

		750W/120V FRC OPTIMUM	
KME Fire App	N/A	NIGHTSCAN 1.8, RCP 3000 OP, 2-1500W/240V FRC OPTIMUM	\$ 8,356.61
KME Fire App	N/A	NIGHTSCAN 1.8, RCP 1500 MG, 2-750W/120V MAGNAFIRE	\$ 8,128.35
KME Fire App	N/A	NIGHTSCAN 1.8, RCP 3000 MG, 4-750W/120V MAGNAFIRE	\$ 8,855.68
KME Fire App	N/A	NIGHTSCAN 1.8, RCP 3600 MG, 4-900W/240V MAGNAFIRE	\$ 8,998.83
KME Fire App	N/A	NIGHTSCAN 3.0, RCP 3600 OP, 4-900W/240V OPTIMUM	\$ 14,084.37
KME Fire App	N/A	NIGHTSCAN 3.0, RCP 6000 OP, 4-1500W/240V OPTIMUM	\$ 13,930.58
KME Fire App	N/A	NIGHTSCAN 3.0, RCP 3000 MG, 4-750W/120V MAGNAFIRE	\$ 13,644.29
KME Fire App	N/A	NIGHTSCAN 3.0, RCP 3600 MG, 4-900W/240V MAGNAFIRE	\$ 13,817.42
KME Fire App	N/A	NIGHTSCAN 3.0, RCP 4500 MG, 6-750W/120V MAGNAFIRE	\$ 14,199.46
KME Fire App	N/A	NIGHTSCAN 4.5, RCP 5400 MG, 6-900W/240V MAGNAFIRE	\$ 14,496.39
KME Fire App	N/A	NS VERTICAL 5.4, RCP 3000 OP, 2-1500W/240V OPTIMUM	\$ 12,742.86
KME Fire App	N/A	NS VERTICAL 5.4, RCP 3600 OP, 4-900W/240V OPTIMUM	\$ 13,422.80
KME Fire App	N/A	NS VERTICAL 5.4, RCP-9000 OP, 6-1500W/240V OPTIMUM	\$ 13,996.35
KME Fire App	N/A	NS VERTICAL 5.4, RCP-3000 MG, 4-750W/120V MAGNAFIRE	\$ 12,982.73
KME Fire App	N/A	NS VERTICAL 5.4, RCP-3600 MG, 4-900W/240V MAGNAFIRE	\$ 13,154.89
KME Fire App	N/A	NS VERTICAL 6.0, RCP-4500 MG, 6-750W/120V MAGNAFIRE	\$ 13,780.67
KME Fire App	N/A	NS VERTICAL 6.0, RCP-5400 MG, 6-900W/240V MAGNAFIRE	\$ 14,039.88
KME Fire App	N/A	NIGHTSCAN PROFILER 3.0, P-2250 MG, 3-750W/120V MAGNAFIRE	\$ 13,563.05
KME Fire App	N/A	NIGHTSCAN PROFILER 3.0, P-2700 MG, 3-900W/240V MAGNAFIRE	\$ 13,563.05
KME Fire App	N/A	NIGHTSCAN PROFILER 3.0, P-2700 OP, 3-900W/240V OPTIMUM	\$ 13,720.70
KME Fire App	N/A	NIGHTSCAN PROFILER 4.5, P-2700 OP, 3-900W/240V OPTIMUM	\$ 13,757.45



Kovatch Mobile Equipment/KME Fire Apparatus

KME Fire App	N/A	NIGHTSCAN PROFILER 4.5, P-4500 OP, 3-1500W/240V OPTIMUM	\$ 13,745.85
KME Fire App	N/A	LIGHTTOWER LOCATION, AS DIRECTED BY ENG & FIRE DEPT	\$ 2,496.34
KME Fire App	N/A	RECESSED WELL FOR VERT. MTD. LIGHT TOWER WITH ROOF COMPT.	\$ 249.54
KME Fire App	N/A	RECESSED WELL FOR HORZ. MTD. LIGHT TOWER WITHOUT ROOF COMPT.	\$ 1,234.15
KME Fire App	N/A	COVER LIGHT TOWER WELL SIDES WITH TREAD PLATE	\$ 988.48
KME Fire App	N/A	TREAD PLATE LIGHT TOWER GUARD	\$ 500.04
KME Fire App	N/A	PAINT CAB TWO TONE	\$ 804.71
KME Fire App	N/A	PAINT BODY TWO TONE	\$ 1,793.19
KME Fire App	N/A	CHEVRON STRIPING ENTIRE REAR OF THE BODY	\$ 1,702.27
KME Fire App	N/A	PAINTED ROLL UP DOORS (EA)	\$ 329.82
KME Fire App	N/A	12" RECESSED REAR STEP	\$ -
KME Fire App	N/A	KWIKEE ELECTRIC STEP UNDER REAR TAILBOARD	\$ 636.42
KME Fire App	N/A	KWIKEE ELECTRIC STEP UNDER SIDE ENTRANCE DOOR	\$ 636.42
KME Fire App	N/A	ZICO ELECTRIC STEP UNDER REAR TAILBOARD	\$ 1,839.61
KME Fire App	N/A	MANUAL PULL OUT STEP	\$ 599.66
KME Fire App	N/A	BOLT ON AUXILIARY REAR ENTRANCE STEP (STIRRUP)	\$ 240.83
KME Fire App	N/A	TALK-THROUGH FROM COMMERCIAL CAB TO WALK-IN BODY	\$ 1,122.92
KME Fire App	N/A	RED INTERIOR LIGHT, WELDON #8045, 12 VOLT	\$ 94.79
KME Fire App	N/A	INTERIOR LIGHTING ROM LED	\$ 240.83
KME Fire App	N/A	INTERIOR 110 V FLUORESCENT LIGHT, 24" DUAL BULB, RECESSED	\$ 291.13
KME Fire App	N/A	INTERIOR 110 V FLUORESCENT LIGHT, 48" DUAL BULB, SURFACE	\$ 300.80
KME Fire App	N/A	NEMA 5-20 SINGLE RECEPTACLE IN WALK-IN RESCUE - DRIVER SIDE	\$ 142.18
KME Fire App	N/A	ONE (1) 13 INCH OUTLET STRIPS ON RESCUE COUNTERTOPS	\$ 177.96
KME Fire App	N/A	ONE (1) 3' LONG OUTLET STRIPS ON RESCUE COUNTERTOPS	\$ 188.60



Kovatch Mobile Equipment/KME Fire Apparatus

KME Fire App	N/A	TWO (2) 3' LONG OUTLET STRIPS ON RESCUE COUNTERTOPS	\$ 274.68
KME Fire App	N/A	TWO (2) 6' LONG OUTLET STRIPS ON RESCUE COUNTERTOPS	\$ 378.18
KME Fire App	N/A	INTERIOR DIMENSIONS - HEAVY DUTY	\$ -
KME Fire App	N/A	HEATER, FLOOR MOUNTED	\$ -
KME Fire App	N/A	WALK-IN RESCUE BODY BUZZER BUTTONS	\$ 229.23
KME Fire App	N/A	FIRE RESEARCH 2-WAY INTERCOM BETWEEN BODY AND CAB	\$ 825.99
KME Fire App	N/A	COLEMAN POLAR MACH #9203 - 110V AIR CONDITIONER	\$ 2,313.54
KME Fire App	N/A	CHASSIS DRIVEN BODY AIR CONDITIONING ON "KME" CUSTOM CHASSIS	\$ 3,025.40
KME Fire App	N/A	CHASSIS DRIVEN BODY AIR CONDITIONING FOR COMMERCIAL CHASSIS	\$ 4,743.15
KME Fire App	N/A	ROOF ESCAPE HATCH/VENT	\$ 982.68
KME Fire App	N/A	SLOPED COMMAND DESK WITH HINGED LID MTD	\$ 937.22
KME Fire App	N/A	ANGLED RADIO PANEL	\$ 537.76
KME Fire App	N/A	MAGNETIC DRY ERASE BOARD - BODY INTERIOR WALL	\$ 343.36
KME Fire App	N/A	INTERIOR HANDRAIL, CEILING MTD, FULL LENGTH (ALUM-KNURL TYPE	\$ 435.24
KME Fire App	N/A	INTERIOR HANDRAIL, CEILING MOUNTED, FULL LENGTH	\$ 665.43
KME Fire App	N/A	INTERIOR TREAD PLATE CABINET W/PLEXIGLASS DOORS - HD	\$ 990.41
KME Fire App	N/A	INTERIOR TREAD PLATE CABINET WITH ROLL-UP DOOR - HD	\$ 1,445.00
KME Fire App	N/A	INTERIOR TREAD PLATE CABINET WITH CARGO NET - HD	\$ 1,259.29
KME Fire App	N/A	INTERIOR CABINET SHELVING	\$ 295.96
KME Fire App	N/A	FIXED BENCH SEAT W/FOUR (4) FLAT BACK SEAT BACKS	\$ 1,305.72
KME Fire App	N/A	FIXED BENCH SEAT W/SIX (6) FLAT BACK SEAT BACKS	\$ 1,694.53
KME Fire App	N/A	FIXED BENCH SEAT W/FOUR (4) AIR PACK SEAT BACKS	\$ 2,099.79



Kovatch Mobile Equipment/KME Fire Apparatus

KME Fire App	N/A	FIXED BENCH SEAT W/SIX (6) AIR PACK SEAT BACKS	\$ 2,536.00
KME Fire App	N/A	STORAGE COMPARTMENT UNDER FIXED BENCH SEAT	\$ 853.07
KME Fire App	N/A	FOLDING BENCH SEAT W/FOUR (4) FLAT BACK SEAT BACKS	\$ 1,305.72
KME Fire App	N/A	FOLDING BENCH SEAT W/SIX (6) FLAT BACK SEAT BACKS	\$ 1,694.53
KME Fire App	N/A	FOLDING BENCH SEAT W/FOUR (4) AIR PACK SEAT BACKS	\$ 2,099.79
KME Fire App	N/A	FOLDING BENCH SEAT W/SIX (6) AIR PACK SEAT BACKS	\$ 2,536.00
KME Fire App	N/A	NORCOLD 12V/110V REFRIGERATOR (2.7 cu.ft)	\$ 1,158.71
KME Fire App	N/A	110V REFRIGERATOR (2.5 cu.ft)	\$ 543.57
KME Fire App	N/A	TREAD PLATE ENCLOSURE FOR COUNTERTOP MTD. REEL	\$ 931.41
KME Fire App	N/A	WINCH RECEIVER POINT - REAR OF BODY	\$ 1,282.51
KME Fire App	N/A	WINCH RECEIVER POINT - EACH SIDE OF BODY	\$ 1,764.17
KME Fire App	N/A	WARN 6000# PORTABLE WINCH	\$ 1,067.79
KME Fire App	N/A	WARN 9000# PORTABLE WINCH	\$ 1,388.90
KME Fire App	N/A	RAPPELLING HITCH	\$ 161.52
KME Fire App	N/A	TRAILER HITCH & RECEIVER	\$ 1,282.51
KME Fire App	N/A	7 FLAT PIN TRAILER CONNECTION	\$ 194.41
KME Fire App	N/A	RV STYLE AWNING FULL LENGTH DRIVER SIDE (3 COMPARTMENT ONLY)	\$ 2,260.35
KME Fire App	N/A	RV STYLE AWNING FULL LENGTH DRIVER SIDE (4 COMPARTMENT ONLY)	\$ 2,357.07
KME Fire App	N/A	ARMLESS AWNING FULL LENGTH DRIVER SIDE (3 COMPARTMENT ONLY)	\$ 5,846.72
KME Fire App	N/A	ARMLESS AWNING FULL LENGTH DRIVER SIDE (4 COMPARTMENT ONLY)	\$ 5,996.64
KME Fire App	N/A	ARMLESS AWNING FULL LENGTH OFFICER SIDE (3 COMPARTMENT ONLY)	\$ 5,846.72
KME Fire App	N/A	ARMLESS AWNING FULL LENGTH OFFICER SIDE (4 COMPARTMENT ONLY)	\$ 5,996.64
KME Fire App	N/A	TREAD PLATE OVERLAY ON EACH SIDE BODY FENDER	\$ 561.94
KME Fire App	N/A	KME ROOF ACCESS LADDER	\$ 1,159.67



Kovatch Mobile Equipment/KME Fire Apparatus

KME Fire App	N/A	CRIBBING COMP'T DRIVER SIDE w/ DROP DOWN DOOR (#250 SLIDE)	\$ 1,246.72
KME Fire App	N/A	CRIBBING COMP'T OFFICER SIDE w/ DROP DOWN DOOR (#250 SLIDE)	\$ 1,246.72
KME Fire App	N/A	ABSORBENT BIN WITHOUT ROOF COMPARTMENTS	\$ 3,009.93
KME Fire App	N/A	TREAD PLATE OVERLAY, FRONT OF BODY (RESCUE)	\$ 757.32
KME Fire App	N/A	TREAD PLATE OVERLAY, REAR WHEEL WELL, SINGLE AXLE BODIES	\$ 491.34
KME Fire App	N/A	TREAD PLATE OVERLAY ON REAR (RESCUE ONLY)	\$ 963.33
KME Fire App	N/A	TREAD PLATE OVERLAY, AROUND REAR COMP'T DOORS (RESCUE ONLY)	\$ 327.88
KME Fire App	N/A	TREAD PLATE OVERLAY, AROUND REAR COMP'T DOORS (RESCUE ONLY)	\$ 327.88
KME Fire App	N/A	TREAD PLATE OVERLAY, AROUND REAR ENTRY DOOR (RESCUE ONLY)	\$ 482.63
KME Fire App	N/A	BODY RUB RAILS, TREAD PLATE	\$ 493.27
KME Fire App	N/A	NO REAR TAILBOARD - RESCUE	\$ -
KME Fire App	N/A	12" RECESSED REAR STEP - WALK IN & COMB RESCUE	\$ 344.32
KME Fire App	N/A	HEADER - HANDRAIL DESCRIPTION & OPTIONS (WI RESCUE)	\$ -
KME Fire App	N/A	GRAB RAILS, KNURLED ALUMINUM EXTRUSION	\$ 167.33
KME Fire App	N/A	TWO (2) REAR OF RESCUE BODY	\$ 258.24
KME Fire App	N/A	TWO (2) INSIDE OF RESCUE BODY	\$ 258.24
KME Fire App	N/A	SAFETY SIGNS (NFPA REQUIRED)	\$ 93.82
KME Fire App	N/A	ALUMINUM WHEEL WELL LINERS	\$ 384.95
KME Fire App	N/A	POLISHED ALUMINUM FENDERETTES, ALL BODIES	\$ 352.06
KME Fire App	N/A	REAR MUD FLAPS	\$ 64.80
KME Fire App	N/A	PAINTED REAR TOW EYES, BELOW BODY	\$ 340.45
KME Fire App	N/A	SABRE-VENT POWER VENT SYSTEM - BODY	\$ -
KME Fire App	N/A	SABRE-VENT POWER VENT SYSTEM - 4 COMPARTMENTS	\$ 2,473.13
KME Fire App	N/A	TWO (2) ZICO #SAC-44 FOLDING WHEEL CHOCKS, (2) MTD DRIVER SIDE	\$ 460.39



Kovatch Mobile Equipment/KME Fire Apparatus

All KME RESCUES vehicles adhere to the following standards:

- NFPA, 1901 Standard, Current Addition
- Miscellaneous loose equipment not included

REFUELERS

Rampmaster	Condor 17.5K	17,500 Gallon Aircraft Refueler	\$745,973.82
------------	-----------------	---------------------------------	--------------



Kovatch Mobile Equipment/KME Fire Apparatus

TANKERS

KME Fire App	TKELLLX2000	TANKER LX 2000	\$215,059.00
KME Fire App	TKELLLX3000	TANKER LX 3000	\$252,253.00
KME Fire App	TKELLP3 3000	TANKER LE 3000	\$248,592.00
KME Fire App	TKELLP2 2000	TANKER LE 2000	\$205,844.00
KME Fire App	TKEIMLX	TANKER LX ELIMINATOR 2000	\$233,109.00
KME Fire App	TKEIMLE	TANKER LE ELIMINATOR 3000	\$239,427.00
KME Fire App	TKWTLE	TANKER WETSIDE 7400 2-DR 2000	\$219,481.00
KME Fire App	TKFB	TANKER FLATBACK 7400 2-DR 2000	\$229,858.00



Kovatch Mobile Equipment/KME Fire Apparatus

TANKER OPTIONS

KME Fire App	N/A	Alum Tread Plate Fuel Cover	\$ 630.61
KME Fire App	N/A	Alum Tread Plate Battery Cover	\$ 693.48
KME Fire App	N/A	4-Door Alum Tread Plate Cab Doors	\$ 242.77
KME Fire App	N/A	20'' Front Bumper Extension	\$ 3,481.92
KME Fire App	N/A	Center Console Brushed	\$ 988.48
KME Fire App	N/A	Center Console Painted	\$ 1,209.97
KME Fire App	N/A	Install Antenna (ea)	\$ 164.42
KME Fire App	N/A	Alum Rims (ea)	\$ 241.80
KME Fire App	N/A	LED Light Bar	\$ 972.04
KME Fire App	N/A	LED Compartment Light (ea)	\$ 135.41
KME Fire App	N/A	Color Back up Camera	\$ 1,034.90
KME Fire App	N/A	20amp Auto Eject	\$ 339.49
KME Fire App	N/A	Battery Charger 12HO	\$ 828.89
KME Fire App	N/A	12 Volt Scene Lights (pr)	\$ 435.24
KME Fire App	N/A	MG 500 PTO Pump	\$ 2,901.60
KME Fire App	N/A	MG 750 PTO Pump	\$ 4,994.62
KME Fire App	N/A	DSD 750 Single Stage	\$ 677.04
KME Fire App	N/A	DSD 1000 Single Stage	\$ 1,568.80
KME Fire App	N/A	Foam Pro 2001	\$ 8,430.12
KME Fire App	N/A	20gal Cell	\$ 733.14
KME Fire App	N/A	Deck Gun	\$ 1,450.80
KME Fire App	N/A	Water Tank Painted	\$ 3,314.59
KME Fire App	N/A	Water Tank Stainless Steel	\$ 5,820.61
KME Fire App	N/A	2-1/2 Side Discharge (ea)	\$ 717.66
KME Fire App	N/A	Manual Fold-A-Tank	\$ 415.90
KME Fire App	N/A	Zico Fold-A-Tank	\$ 4,360.14
KME Fire App	N/A	Behind Axle Dumps	\$ 9,023.98
KME Fire App	N/A	Adj Shelf	\$ 294.03
KME Fire App	N/A	250# Slide Tray	\$ 575.48



Kovatch Mobile Equipment/KME Fire Apparatus

KME Fire App	N/A	7500 Watt Diesel Generator	\$ 8,849.88
KME Fire App	N/A	L5 20 Twist Lock (2)	\$ 284.36
KME Fire App	N/A	750 Watt OPT front of Body (2)	\$ 962.36
KME Fire App	N/A	1000 Watt OPT front of Body (2)	\$ 1,091.97
KME Fire App	N/A	Dual 1'' Strip Above & Below Main Strip	\$ 677.04
KME Fire App	N/A	Painted Body	\$ 4,497.48
KME Fire App	N/A	Compartment Inside Splitter (ea)	\$ 249.54
KME Fire App	N/A	OS/DS Rear Discharge	\$ 2,437.34
KME Fire App	N/A	Booster Reel	\$ 3,143.40
KME Fire App	N/A	CHEVRON STRIPING ENTIRE REAR OF THE BODY	\$ 1,702.27

All KME TANKERS vehicles adhere to the following standards:

- NFPA, 1901 Standard, Current Addition
- Miscellaneous loose equipment not included



Kovatch Mobile Equipment/KME Fire Apparatus

WILDLAND

KME Fire App	KWFE01	Type 3 Heavy Engine customer supplied chassis (USFS Similar to 326/346	\$128,923.00
KME Fire App	KWFE02	Type 3 Heavy Engine Customer Supplied Chassis (USFS Similar to 328/348	\$130,866.00
KME Fire App	KWFE07	Type 4 Heavy Engine Customer Supplied Chassis (USFS Similar to 448	\$137,342.00
KME Fire App	KWFE09	Type 4 Heavy Engine Customer Supplied Chassis (BLM Similar to 667	\$138,707.00
KME Fire App	KWFE11	Type 4 Heavy Engine Customer Supplied Chassis (BLM Similar to 667M	\$138,728.00
KME Fire App	KWLB01	Type 6 Light Engine Customer Supplied Chassis (Similar USFA Model 643U	\$80,403.00
KME Fire App	KWLB03	Type 6 Light Engine Customer Supplied Chassis (Similar BLM Model 664	\$79,014.00
KME Fire App	KWLB05	Type 6 Light Engine Customer Supplied Chassis (Similar BLM Model 643P	\$89,400.00

KME Fire App	KWFE03	Type 3 Heavy Engine Navistar 7400 4x2 4-DR Similar to USFS 326	\$219,729.00 (FET) \$10,401.00
KME Fire App	KWFE04	Type 3 Heavy Engine Navistar 7400 4x4 4-DR Similar to USFS 346	\$247,367.00 (FET) \$13,597.00
KME Fire App	KWFE05	Type 3 Heavy Engine Navistar 7400 4x2 2-DR Similar to USFS 328	\$213,593.00 (FET) \$9,467.00`
KME Fire App	KWFE06	Type 3 Heavy Engine Navistar 7400 4x4 2-DR Similar to USFS 348	\$239,674.00 (FET) \$12,483.00
KME Fire App	KWFE08	Type 4 Heavy Engine Navistar 7400 4x4 4-DR Similar to USFS 448	\$254,630.00 (FET) \$13,597.00



Kovatch Mobile Equipment/KME Fire Apparatus

WILDLAND

KME Fire App	KWFE10	Type 4 Heavy Engine Navistar 7400 4x4 2-DR Similar to BLM 667	\$248,288.00
KME Fire App	KWFE12	Type 4 Heavy Engine Navistar 7400 4x4 2-DR Similar to BLM 667M	\$248,254.00
KME Fire App	KWLB02	Type 6 Light Engine Dodge 4x4 5500 Crew Cab (USFS Similar to 643U)	\$124,776.00
KME Fire App	KWLB04	Type 6 Light Engine Dodge 4x4 5500 2-DR (Similar to BLM 664)	\$122,482.00
KME Fire App	KWLB06	Type 6 Light Engine Customer Supplied (USFS Similar to 643P)	\$133,773.00
KME Fire App	KMFCC10CSC	10-person Crew Carrier Customer supplied Chassis	\$108,478.00
KME Fire App	KMFCC10	10 Person Crew Carrier on a Navistar 7400 4x2	\$199,999.00
KME Fire App	KMTT1500	Navistar 7400 2DR 4x2 Tactical Tanker	\$208,482.00



Kovatch Mobile Equipment/KME Fire Apparatus

WILDLAND OPTIONS

KME Fire App	N/A	Change under cab ground lighting from 4" round light to Amdor LED strip lighting for better protection	(-165)
KME Fire App	N/A	Add total of four (4) individual SCBA air bottle storage compartments (8" high x 8" wide x 26" deep) to the wheel well (2 per side) and relocate the wheel chock storage boxes to under the cab steps (if applicable)	\$ 1,228
KME Fire App	N/A	Add heat protective wrap to the lower sections of the exhaust adjacent to the cab steps.	\$ 101
KME Fire App	N/A	Construct Type 6 body of galvaneal steel IPO fiber composite	\$ 7,308
KME Fire App	N/A	Install two (2) SCBA storage brackets in each center compartment above the wheel wells (four total)	\$ 476
KME Fire App	N/A	Install a spare bottle storage rack in right side forward compartment	\$ 480
KME Fire App	N/A	Install chainsaw bracket	\$ 165
KME Fire App	N/A	Add an in-line check valve will be added to both the #2 pump-to-tank (tank fill) and the #19 2-1/2" water only discharge.	\$ 724
KME Fire App	N/A	Add a transmission cooler to the CBP pump and plumb it to the pump discharge.	\$ 454
KME Fire App	N/A	Change the master drain from handwheel operation to air-operated drain (w/ check valve) with a master switch on the pump panel.	\$ 95
KME Fire App	N/A	Add a grab handle on the rear DS cab door opposite the exhaust pipe.	\$ 117
KME Fire App	N/A	Add additional set of unistruts to compartment.	\$ 114



Kovatch Mobile Equipment/KME Fire Apparatus

KME Fire App	N/A	Front Turret (Akron FireFox w/ Low Flow Nozzle)	\$ 9,135
KME Fire App	N/A	Two SCBA Bottle Storage Brackets In Each Compartment Above Wheel Well (Four Brackets Total)	\$ 460
KME Fire App	N/A	Upgrade to extended cab (Navistar chassis only)	\$ 2,629
KME Fire App	N/A	Upgrade to crew cab w/ rear bench seat	\$ 8,980
KME Fire App	N/A	Paint 2 Door Cab Custom Color (Single Color)	\$ 3,502
KME Fire App	N/A	Paint 4 Door Cab Custom Color (Single Color)	\$ 3,958
KME Fire App	N/A	Paint Wheels Custom Color (Dodge / Ford Chassis Only)	\$ 1,661

All KME WILDLAND vehicles adhere to the following standards:

- NFPA, 1906 Standard, Current Addition
- Miscellaneous loose equipment not included



Kovatch Mobile Equipment/KME Fire Apparatus

ARFF

KME Fire App	KAC1	Ford F-550 Class 1 RIV 4x4 2-DR	\$185,044.00
KME Fire App	KAC2	Ford F-550 Class 2 RIV 4x4	\$173,798.00
KME Fire App	KAC2-UHP	Ford F-550 Class 2 RIV UHP 4x4 2DR	\$147,000.00
KME Fire App	KAC3	International Class 3 RIV 4x4 2DR	\$284,518.00
KME Fire App	KP1500	KME 1500 gal Class 4 ARFF	\$551,137.00
KME Fire App	KP3000	KME 3000gal Class 5 ARFF	\$581,470.00



Kovatch Mobile Equipment/KME Fire Apparatus

ARFF OPTIONS

KME Fire App	N/A	Adjustable tray	\$ 295.96
KME Fire App	N/A	Floor mounted roll out tray	\$ 580.32
KME Fire App	N/A	Adjustable slide out tray	\$ 580.32
KME Fire App	N/A	SCBA Storage (per set of 2)	\$ 119.93
KME Fire App	N/A	Roll out drop down tray	\$ 854.04
KME Fire App	N/A	Vogul Lube System	\$ 3,526.41
KME Fire App	N/A	Spare Tire and Wheel	\$ 2,333.85
KME Fire App	N/A	WARD No Smoke Exhaust System	\$ 12,036.80
KME Fire App	N/A	Rear Vision Camera System	\$ 929.48
KME Fire App	N/A	FLIR Camera System with 10.4" Boland Display	\$ 13,818.39
KME Fire App	N/A	12-volt HID Cab Scene Lights	\$ 1,996.30
KME Fire App	N/A	12Volt HID Body Scene Lights (2 per side)	\$ 1,996.30
KME Fire App	N/A	Rear Engine Enclosure LED Scene Lights	\$ 928.51
KME Fire App	N/A	12-volt Light Tower	\$ 6,397.06
KME Fire App	N/A	NFPA LED Warning Light Package	\$ 3,205.30
KME Fire App	N/A	6-Inch Main Suction (Per Side)	\$ 903.36
KME Fire App	N/A	Add 2 1/2 inch Gated Discharge(water and foam)	\$ 818.25
KME Fire App	N/A	Add 4 inch Gated Discharge (water and foam)	\$ 1,696.47
KME Fire App	N/A	Add 4 1/2 inch tank fill (per side)	\$ 1,305.72
KME Fire App	N/A	500 lb dry chem system with 150' swing out reel	\$ 20,051.99
KME Fire App	N/A	Spare Nitrogen Cylinder for Dry chem system	\$ 962.36
KME Fire App	N/A	500 lbs of Purple K	\$ 794.07
KME Fire App	N/A	Hydrochem Nozzle for roof turret (foam water and dry chem)	\$ 7,732.76
KME Fire App	N/A	Auto Charge Handline Option	\$ 849.20
KME Fire App	N/A	Handline Safety Interlock Option	\$ 355.93
KME Fire App	N/A	Delete Standard Structural Panel	\$ (3,385.20)



Kovatch Mobile Equipment/KME Fire Apparatus

KME Fire App	N/A	Winterization System	\$ 9,627.51
KME Fire App	N/A	Roof Turret Manual Overrides	\$ 3,725.65
KME Fire App	N/A	HVLA bumper turret IPO Standard Bumper turret	\$ 16,555.56
KME Fire App	N/A	Hydrochem Nozzle for HVLA turret (foam water and dry chem)	\$ 7,732.76
KME Fire App	N/A	Electronic Foam Proportioning System	\$ 3,216.91
KME Fire App	N/A	10K Hydraulic Generator System	\$ 14,019.56
KME Fire App	N/A	110 VAC 750 watt Scene lights above cab	\$ 1,839.61
KME Fire App	N/A	220 VAC 1000 watt Scene lights (2 per side)	\$ 2,052.40
KME Fire App	N/A	Electric rewind cord reel with junction box	\$ 2,018.55
KME Fire App	N/A	110 volt duplex receptacles (per pair)	\$ 582.25
KME Fire App	N/A	Dri-Deck Compartment Matting all compartments	\$ 710.89
KME Fire App	N/A	Snuzzle HRET IPO standard roof turret	\$132,990.00
KME Fire App	N/A	Halotron System with 150' reel 1000 lb of agent and re-fill kit	\$ 39,170.63
KME Fire App	N/A	HID light for roof or bumper turret (each)	\$ 725.40
KME Fire App	N/A	Additional cab seat with SCBA (each)	\$ 586.12
KME Fire App	N/A	MADAS System	\$ 10,624.69
KME Fire App	N/A	DVR System	\$ 1,929.56
KME Fire App	N/A	Rear Chevron Striping	\$ 1,166.44
KME Fire App	N/A	Class 1 RIV 150 Gal AFFF Pre-mix 500 Dry Chem	\$ -
KME Fire App	N/A	Adjustable tray	\$ 295.96
KME Fire App	N/A	Floor mounted roll out tray	\$ 580.32
KME Fire App	N/A	Adjustable slide out tray	\$ 580.32
KME Fire App	N/A	SCBA Storage (per set of 2)	\$ 119.93
KME Fire App	N/A	Roll out drop down tray	\$ 854.04
KME Fire App	N/A	Rear Vision Camera System	\$ 929.48



Kovatch Mobile Equipment/KME Fire Apparatus

KME Fire App	N/A	FLIR Camera System with 10.4" Boland Display	\$ 13,818.39
KME Fire App	N/A	NFPA LED Warning Light Package	\$ 3,205.30
KME Fire App	N/A	500 lbs of Purple K	\$ 794.07
KME Fire App	N/A	Dri-Deck Compartment Matting all compartments	\$ 710.89
KME Fire App	N/A	Rear Chevron Striping	\$ 1,166.44
KME Fire App	N/A	Class 2 RIV 300 Gal water 50 gal foam 500 Dry Chem	\$ -
KME Fire App	N/A	Adjustable tray	\$ 295.96
KME Fire App	N/A	Floor mounted roll out tray	\$ 580.32
KME Fire App	N/A	Adjustable slide out tray	\$ 580.32
KME Fire App	N/A	SCBA Storage (per set of 2)	\$ 119.93
KME Fire App	N/A	Roll out drop down tray	\$ 854.04
KME Fire App	N/A	Rear Vision Camera System	\$ 929.48
KME Fire App	N/A	FLIR Camera System with 10.4" Boland Display	\$ 13,818.39
KME Fire App	N/A	NFPA LED Warning Light Package	\$ 3,205.30
KME Fire App	N/A	Add 2 1/2 inch Gated Discharge(water and foam)	\$ 818.25
KME Fire App	N/A	4-Inch Main Suction (Per Side)	\$ 806.64
KME Fire App	N/A	500 lbs of Purple K	\$ 794.07
KME Fire App	N/A	Dri-Deck Compartment Matting all compartments	\$ 710.89
KME Fire App	N/A	Rear Chevron Striping	\$ 1,166.44
KME Fire App	N/A	Class 3 RIV 500 Gal water 60 gal foam 500 Dry Chem	\$ -
KME Fire App	N/A	Adjustable tray	\$ 295.96
KME Fire App	N/A	Floor mounted roll out tray	\$ 580.32
KME Fire App	N/A	Adjustable slide out tray	\$ 580.32
KME Fire App	N/A	SCBA Storage (per set of 2)	\$ 119.93
KME Fire App	N/A	Roll out drop down tray	\$ 854.04
KME Fire App	N/A	Rear Vision Camera System	\$ 929.48
KME Fire App	N/A	FLIR Camera System with 10.4" Boland Display	\$ 13,818.39



Kovatch Mobile Equipment/KME Fire Apparatus

KME Fire App	N/A	NFPA LED Warning Light Package	\$ 3,205.30
KME Fire App	N/A	Electronic Foam Proportioning System	\$ 3,216.91
KME Fire App	N/A	10K Hydraulic Generator System	\$ 14,019.56
KME Fire App	N/A	110 VAC 750 watt Scene lights above cab	\$ 1,839.61
KME Fire App	N/A	220 VAC 1000 watt Scene lights (2 per side)	\$ 2,052.40
KME Fire App	N/A	Electric rewind cord reel with junction box	\$ 2,018.55
KME Fire App	N/A	110 volt duplex receptacles (per pair)	\$ 582.25
KME Fire App	N/A	Add 2 1/2 inch Gated Discharge(water and foam)	\$ 818.25
KME Fire App	N/A	4-Inch Main Suction (Per Side)	\$ 806.64
KME Fire App	N/A	500 lbs of Purple K	\$ 794.07
KME Fire App	N/A	Winterization System	\$ 9,627.51
KME Fire App	N/A	Dri-Deck Compartment Matting all compartments	\$ 710.89
KME Fire App	N/A	Rear Chevron Striping	\$ 1,166.44
			\$ -

All KME ARFF vehicles adhere to the following standards:

- NFPA, 414 Standard, Current Addition
- Miscellaneous loose equipment not included



Kovatch Mobile Equipment/KME Fire Apparatus

CHASSIS OPTIONS

KME Fire App	N/A	PREDATOR - X-MFD CAB LENGTH	\$ 686.71
KME Fire App	N/A	PREDATOR -LFD CAB LENGTH	\$ 1,289.28
KME Fire App	N/A	PREDATOR - X-LFD CAB LENGTH	\$ 2,096.89
KME Fire App	N/A	12" RAISED ROOF PREDATOR	\$ 2,429.61
KME Fire App	N/A	16" RAISED ROOF PREDATOR	\$ 2,883.22
KME Fire App	N/A	22" RAISED ROOF PREDATOR	\$ 3,457.74
KME Fire App	N/A	DOOR LATCHES	\$ 252.44
KME Fire App	N/A	KEYED LOCKING CAB DOOR LATCHES FOR ALL KME CUSTOM CABS	\$ 272.75
KME Fire App	N/A	LOCKING CAB DOOR , OUT + IN ALL CABS	\$ 712.83
KME Fire App	N/A	WIRELESS REMOTE KEYLESS ENTRY - PREDATOR	\$ 2,135.58
KME Fire App	N/A	ELECTRIC WINDOWS, FOUR (4) DOORS, MFD, X-MFD, LFD CAB	\$ 1,057.15
KME Fire App	N/A	BRUSHED ALUMINUM DOOR SCUFF PLATES, 4 - DOOR	\$ 379.14
KME Fire App	N/A	ALUMINUM TREAD PLATE DOOR SCUFF PLATES, 4 - DOOR	\$ 389.78
KME Fire App	N/A	POLISHED S/S INTERIOR KICK PLATES ON CAB DOORS, 4 - DOOR	\$ 652.86
KME Fire App	N/A	BRUSHED S/S INTERIOR KICK PLATES ON CAB DOORS, 4 - DOOR	\$ 652.86
KME Fire App	N/A	SCOTCHLITE MATERIAL ON INTERIOR OF DOOR PANEL 4-DOORS	\$ 88.98
KME Fire App	N/A	SCOTCHLITE CHEVRONS ON INTERIOR OF DOOR PANEL 4-DOORS	\$ 199.24
KME Fire App	N/A	"STOP" SIGN DECAL ON INTERIOR OF DOOR PANEL 4-DOORS	\$ 124.77
KME Fire App	N/A	POLISHED S/S SCUFF PLATES @ EACH CAB DOOR FRAME	\$ 294.03
KME Fire App	N/A	POLISHED S/S SCUFF PLATES @ EACH CAB DOOR FRAME AND	\$ 714.76



Kovatch Mobile Equipment/KME Fire Apparatus

		JAMB	
KME Fire App	N/A	POLISHED S/S TRIM BAND ALONG CAB SIDES, BUMPER HEIGHT	\$ 705.09
KME Fire App	N/A	POLISHED S/S TRIM BAND ALONG CAB SIDES, 6" CENTER OF DOORS	\$ 569.68
KME Fire App	N/A	POLISHED S/S TRIM BAND @ FRONT, TOP OF UPPER HEADLIGHTS	\$ 702.19
KME Fire App	N/A	ACCENT MOLDING BELOW WINDSHIELD AND SIDES OF CAB AS DIRECTED	\$ 263.08
KME Fire App	N/A	ALUMINUM TREAD PLATE OVERLAY, EXTERIOR REAR WALL	\$ 772.79
KME Fire App	N/A	CAB COMPARTMENTS 18"H x 10"W x 25 3/4"D - LFD CABS	\$ 926.58
KME Fire App	N/A	CAB COMPARTMENTS 38"H x 10"W x 25 3/4"D - LFD CABS	\$ 994.28
KME Fire App	N/A	CAB COMPT 38"H x 10"W x 25 3/4"D/TRANSVERSE - LFD CABS	\$ 2,680.11
KME Fire App	N/A	CAB COMPARTMENTS 18"H x 20"W x 25 3/4"D - XLFD CABS	\$ 953.66
KME Fire App	N/A	CAB COMPARTMENTS 38"H x 20"W x 25 3/4"D - XLFD CABS	\$ 1,063.92
KME Fire App	N/A	CAB COMPT 38"H x 20"W x 25 3/4"D/TRANSVERSE - XLFD CABS	\$ 2,805.85
KME Fire App	N/A	KEYED LOCKS FOR CAB SIDE COMPARTMENTS	\$ 97.69
KME Fire App	N/A	SCUFF PLATE ON CAB COMPARTMENT DOORS	\$ 79.31
KME Fire App	N/A	ADJUSTABLE SHELVE(S) FOR DS CAB COMPARTMENT	\$ 152.82
KME Fire App	N/A	WINDSHIELD WIPERS & WASHERS - PREDATOR (MULTIPLEX)	\$ 805.68
KME Fire App	N/A	16" x 6-1/2" REMOTE CONTROLLED MIRRORS W/CONVEX SPOT	\$ 280.49
KME Fire App	N/A	16" x 6-1/2" HEATED MIRRORS W/STD. CONVEX SPOT	\$ 431.37



Kovatch Mobile Equipment/KME Fire Apparatus

KME Fire App	N/A	16" x 6-1/2" HEATED MIRRORS, RIGHT SIDE REMOTE CONTROLLED	\$ 516.48
KME Fire App	N/A	16" x 6-1/2" HEATED, REMOTE CONTROLLED MIRRORS, W/STD CONVEX	\$ 590.96
KME Fire App	N/A	VELVAC "SUPERSTAR" CHROME HEATED/REMOTE ON DOORS	\$ 735.07
KME Fire App	N/A	VELVAC "SUPERSTAR" CHROME - HEATED/REMOTE	\$ 863.71
KME Fire App	N/A	VELVAC "SUPERSTAR" CHROME - HEATED/REMOTE MIRROR - W/ ARROW	\$ 988.48
KME Fire App	N/A	RAMCO MODEL 6001- FFHR 750HR RADIUS MOUNTED MIRROR	\$ 1,207.07
KME Fire App	N/A	RAMCO MODEL #CRM-9000- FFHR-800HR HEATED/REMOTE CTRL MIRROR	\$ 832.76
KME Fire App	N/A	LANG-MEKRA HEATED REMOTE CONTROLLED MIRRORS	\$ 800.84
KME Fire App	N/A	VELVAC 6" EXTENDING CONVEX MIRROR ABOVE OS WINDSHIELD CORNER	\$ 108.33
KME Fire App	N/A	VELVAC "REVOLUTION" CHROME - HEATED/REMOTE	\$ 987.51
KME Fire App	N/A	VELVAC "REVOLUTION" CHROME - HEATED/REMOTE MIRROR - w/ ARROW	\$ 1,084.23
KME Fire App	N/A	VELVAC "REVOLUTION" CHROME - HEATED-REMOTE MIRROR - w/ ARROW + CAMERA	\$ 1,469.18
KME Fire App	N/A	2010 - INTERIOR TRIM, PREDATOR	\$ 3,983.90
KME Fire App	N/A	PREDATOR REAR INTERIOR CAB WALL, GRAY DURAWEAR UPHOLSTERY	\$ 271.78
KME Fire App	N/A	TREAD PLATE KICK PLATE ON LOWER INTERIOR REAR WALL	\$ 244.70
KME Fire App	N/A	2010 - PREDATOR STORAGE COMPARTMENTS UNDER FRONT SEATS	\$ 208.92
KME Fire App	N/A	BARYFOL FLOORING	\$ 473.93



Kovatch Mobile Equipment/KME Fire Apparatus

KME Fire App	N/A	2010 - ENGINE ENCLOSURE - PREDATOR (ABS)	\$ 308.54
KME Fire App	N/A	DRIVERS SEAT, BOSTROM SIERRA AIR SUSPENSION	\$ 480.70
KME Fire App	N/A	DRIVERS SEAT, BOSTROM EX8 SIERRA ELECTRIC BASE w/ ABTS	\$ 935.28
KME Fire App	N/A	OFFICERS SEAT, BOSTROM SIERRA AIR SUSPENSION	\$ 480.70
KME Fire App	N/A	OFFICERS SEAT, BOSTROM 450 SCBA, FIXED	\$ 580.32
KME Fire App	N/A	OFFICERS SEAT, BOSTROM 450 SCBA, AIR SUSPENSION	\$ 1,108.41
KME Fire App	N/A	OFFICERS SEAT, BOSTROM 450 SCBA, FIXED, ABTS	\$ 580.32
KME Fire App	N/A	OFFICERS SEAT, BOSTROM SIERRA 50 BUCKET, FIXED	\$ 306.60
KME Fire App	N/A	ZICO ULLH SCBA BOTTLE BRACKET - OFFICER'S SEAT	\$ 116.06
KME Fire App	N/A	ZICO 1045 QUIC-HOLD SCBA BOTTLE BRACKET - OFFICER'S SEAT	\$ 382.04
KME Fire App	N/A	ZICO QLM-U QUIC-LOCK SCBA BOTTLE BRACKET - OFFICER'S SEAT	\$ 402.36
KME Fire App	N/A	BOSTROM "SECUREALL" SCBA BOTTLE BRACKET - OFFICER'S SEAT	\$ 353.03
KME Fire App	N/A	BOSTROM 450 SCBA ABTS FORWARD FACING, OUTBOARD, DS	\$ 546.47
KME Fire App	N/A	BOSTROM SIERRA, NON-SCBA ABTS FORWARD FACING, OUTBOARD, DS	\$ 470.06
KME Fire App	N/A	FLIP UP SEAT BASE, FORWARD FACING, OUTBOARD, DS	\$ 67.70
KME Fire App	N/A	STANDARD SEAT BASE, FORWARD FACING, OUTBOARD, DS	\$ 67.70
KME Fire App	N/A	ISOLATED COMPT SEAT BASE, FORWARD FACING, OUTBOARD, DS	\$ 233.10
KME Fire App	N/A	ZICO ULLH SCBA BOTTLE BRACKET - OUTBOARD	\$ 116.06



Kovatch Mobile Equipment/KME Fire Apparatus

		FORWARD, DS	
KME Fire App	N/A	FORWARD FACING SEAT POSITION - NO BACK, OUTBOARD, OS	\$ 312.41
KME Fire App	N/A	FLIP UP SEAT BASE, FORWARD FACING, OUTBOARD, OS	\$ 67.70
KME Fire App	N/A	1 - BOSTROM 450 SCBA ABTS FORWARD FACING, CENTER	\$ 648.02
KME Fire App	N/A	1 - BOSTROM SIERRA, NON-SCBA ABTS FORWARD FACING, CENTER	\$ 571.62
KME Fire App	N/A	FLIP UP SEAT BASE, FORWARD FACING, (1) CENTER	\$ 67.70
KME Fire App	N/A	FLIP UP SEAT BASE, FORWARD FACING, (1) CENTER	\$ 67.70
KME Fire App	N/A	FLIP UP SEAT BASE, FORWARD FACING, (1) CENTER	\$ 67.70
KME Fire App	N/A	STANDARD SEAT BASE, FORWARD FACING, (1) CENTER	\$ 67.70
KME Fire App	N/A	ZICO ULLH SCBA BOTTLE BRACKET - 1 CENTER FORWARD	\$ 116.06
KME Fire App	N/A	2 - BOSTROM 450 SCBA ABTS FORWARD FACING, CENTER	\$ 1,194.49
KME Fire App	N/A	2 - BOSTROM SIERRA, NON-SCBA ABTS FORWARD FACING, CENTER	\$ 1,041.67
KME Fire App	N/A	FLIP UP SEAT BASE, FORWARD FACING, (2) CENTER	\$ 136.38
KME Fire App	N/A	STANDARD SEAT BASE, FORWARD FACING, (2) CENTER	\$ 136.38
KME Fire App	N/A	ISOLATED COMPARTMENT SEAT BASE, FRWD FACING, (2) CENTER	\$ 340.45
KME Fire App	N/A	TRANS COMPARTMENT SEAT BASE, FRWD FACING, (2) CENTER	\$ 249.54
KME Fire App	N/A	ZICO ULLH SCBA BOTTLE BRACKET - 2 CENTER FORWARD	\$ 233.10
KME Fire App	N/A	TWO (2) SEATING POSITIONS	\$ 427.50
KME Fire App	N/A	KME TOP ROLLOVER PROTECTION SYSTEM 6 - SEATS LFD & XLFD	\$ 7,733.73



Kovatch Mobile Equipment/KME Fire Apparatus

KME Fire App	N/A	KME TOP ROLLOVER PROTECTION SYSTEM - D & O - UP TO 6 CREW	\$ 3,936.50
KME Fire App	N/A	EXTRNL CAB EMS CMPT DS w/ ROLL-UP DOOR BRUSHED ALUMINUM	\$ 1,337.64
KME Fire App	N/A	EXTRNL CAB EMS CMPT DS w/ ROLL-UP DOOR PAINTED FINISH	\$ 1,565.90
KME Fire App	N/A	EXTRNL CAB EMS CMPT DS w/ HINGED FLUSH MOUNT DOOR	\$ 1,152.90
KME Fire App	N/A	JOB COLOR COMPARTMENT DS INTERIOR w/SPATTER PAINT	\$ -
KME Fire App	N/A	CAB EMS DS COMPARTMENT LIGHTING, WELDON #2630	\$ 38.69
KME Fire App	N/A	CAB EMS DS COMPARTMENT LIGHTING, WHELEN LED - #PSCABCCR	\$ 104.46
KME Fire App	N/A	EXTRNL CAB EMS CMPT OS w/ ROLL-UP DOOR BRUSHED ALUMINUM	\$ 1,337.64
KME Fire App	N/A	EXTRNL CAB EMS CMPT OS w/ ROLL-UP DOOR PAINTED FINISH	\$ 1,565.90
KME Fire App	N/A	EXTRNL CAB EMS CMPT OS w/ HINGED FLUSH MOUNT DOOR	\$ 1,152.90
KME Fire App	N/A	EXTRNL CAB EMS CMPT OS w/ ROLL-UP DOOR + INTERNAL ACCE	\$ 1,569.77
KME Fire App	N/A	EXTRNL CAB EMS CMPT OS w/ ROLL-UP DOOR + INTERNAL ACCESS	\$ 1,798.99
KME Fire App	N/A	EXTRNL CAB EMS CMPT OS w/ HINGED DOOR + INTERNAL ACCESS	\$ 1,183.85
KME Fire App	N/A	CAB EMS OS COMPARTMENT LIGHTING, WELDON #2630	\$ 38.69
KME Fire App	N/A	GRAB RAILS, BELOW OUTER REAR FACING SEAT RISERS	\$ 70.61
KME Fire App	N/A	TREAD PLATE CAB EMS COMPARTMENT 53"H X 36"W X 24"D	\$ 1,813.50
KME Fire App	N/A	TREAD PLATE CAB DUAL EMS CMPT, 46H X 21W X 24D	\$ 2,963.50



Kovatch Mobile Equipment/KME Fire Apparatus

KME Fire App	N/A	PAINTED CAB EMS COMPARTMENT 53"H X 36"W X 24"D	\$ 1,758.37
KME Fire App	N/A	PAINTED CAB EMS CMPT DUAL 46 H X 24 W X 24 D	\$ 3,011.86
KME Fire App	N/A	PAINTED CAB EMS CMPT REAR OVERHEAD 15H X 88W X 15D	\$ 984.61
KME Fire App	N/A	KEYED LOCK FOR EMS COMPARTMENT DOOR	\$ 62.87
KME Fire App	N/A	CAB EMS COMPARTMENT LIGHTING, WELDON #2630	\$ 38.69
KME Fire App	N/A	STORAGE COMP FOR (3) 3" BINDERS (TOP LOAD, VERT W/ LID)	\$ 459.42
KME Fire App	N/A	STORAGE COMP FOR (3) 2" BINDERS (FRONT LOAD, VERT)	\$ 357.86
KME Fire App	N/A	STORAGE COMP FOR (3) 2" BINDERS (FRONT LOAD, HORZ)	\$ 687.68
KME Fire App	N/A	STORAGE COMP FOR (4) 1-1/2" BINDERS (FRONT LOAD, HORZ)	\$ 503.91
KME Fire App	N/A	STORAGE COMP FOR (5) 1" BINDERS (FRONT LOAD, VERT)	\$ 766.99
KME Fire App	N/A	STORAGE COMP FOR (5) 1-1/2" BINDERS (TOP LOAD, VERT W/ LID)	\$ 619.01
KME Fire App	N/A	STORAGE COMP FOR (3) 3" BINDERS (FRONT LOAD, VERT W/ LID)	\$ 769.89
KME Fire App	N/A	NOTEBOOK HOLDER	\$ 803.74
KME Fire App	N/A	CAB DOGHOUSE STORAGE MODULE	\$ 789.24
KME Fire App	N/A	STANDARD #MATM RADIO ANTENNA INSTALLED	\$ 164.42
KME Fire App	N/A	INSTRUMENTATION & CONTROLS, PREDATOR	\$ 2,381.25
KME Fire App	N/A	2010 - DASH & CENTER CONSOLE - PREDATOR	\$ 136.38
KME Fire App	N/A	ENGINE COMPRESSION BRAKE CONTROLS	\$ 55.13
KME Fire App	N/A	FLAT DASH IN FRONT OF OFFICER (ABS)	\$ 106.39
KME Fire App	N/A	PREDATOR OVERHEAD PANEL, FLAT FACED	\$ 369.47



Kovatch Mobile Equipment/KME Fire Apparatus

KME Fire App	N/A	CLIMATE CONTROL SYSTEM - CONTROLS ABOVE DRIVER	\$ 136.38
KME Fire App	N/A	A/C 'CLIMATE CONTROL SYSTEM	\$ 4,690.92
KME Fire App	N/A	REAR HEATERS FOR LFD CABS	\$ 1,027.17
KME Fire App	N/A	AUX. HEATERS UNDER DRIVER & OFFICER SEAT RISER	\$ 1,061.99
KME Fire App	N/A	AUXILIARY - MANUAL CAB LIFT BACK UP SYSTEM	\$ 398.49
KME Fire App	N/A	BUMPER 12" PAINTED STEEL BUMPER - ALL CABS	\$ 510.68
KME Fire App	N/A	BUMPER 10" PAINTED STEEL BUMPER - ALL CABS	\$ 522.29
KME Fire App	N/A	10" FRONT BUMPER EXTENSION WITH TREAD PLATE GRAVEL SHIELD	\$ 476.83
KME Fire App	N/A	16" FRONT BUMPER EXTENSION WITH TREAD PLATE GRAVEL SHIELD	\$ 833.73
KME Fire App	N/A	18" FRONT BUMPER EXTENSION WITH TREAD PLATE GRAVEL SHIELD	\$ 884.02
KME Fire App	N/A	20" FRONT BUMPER EXTENSION WITH TREAD PLATE GRAVEL SHIELD	\$ 892.73
KME Fire App	N/A	22" FRONT BUMPER EXTENSION WITH TREAD PLATE GRAVEL SHIELD	\$ 901.43
KME Fire App	N/A	24" FRONT BUMPER EXTENSION WITH TREAD PLATE GRAVEL SHIELD	\$ 924.64
KME Fire App	N/A	27" FRONT BUMPER EXTENSION WITH TREAD PLATE GRAVEL SHIELD	\$ 1,005.89
KME Fire App	N/A	WARN 9,000# ELECTRIC WINCH MTD IN BUMPER EXT.	\$ 1,609.42
KME Fire App	N/A	WARN 12,000# ELECTRIC WINCH MTD IN BUMPER EXT.	\$ 2,382.21
KME Fire App	N/A	CUSTOM - ONE (1) HOSE WELL AT CENTER OF BUMPER EXT.	\$ 493.27
KME Fire App	N/A	CUSTOM - TWO (2) VELCRO STRAPS ON CENTER WELL	\$ 136.38
KME Fire App	N/A	CUSTOM - TWO (2) VELCRO	\$ 136.38



Kovatch Mobile Equipment/KME Fire Apparatus

		STRAPS ON CENTER WELL	
KME Fire App	N/A	CUSTOM - TREAD PLATE COVER NOTCHED FOR PRE-CONNECTED HOSE	\$ 51.26
KME Fire App	N/A	CUSTOM - ONE (1) HOSE WELL DRIVER SIDE OF BUMPER EXTENSION	\$ 493.27
KME Fire App	N/A	CUSTOM - TWO (2) VELCRO STRAPS ON DRIVER SIDE WELL	\$ 136.38
KME Fire App	N/A	CUSTOM - TWO (2) VELCRO STRAPS ON DRIVER SIDE WELL	\$ 136.38
KME Fire App	N/A	CUSTOM - TREAD PLATE COVER NOTCHED FOR PRE-CONNECTED HOSE	\$ 51.26
KME Fire App	N/A	REEL STORAGE, RIGHT SIDE FRONT BUMPER, W/COVER	\$ 1,057.15
KME Fire App	N/A	TWO (2) PAINTED TOW HOOKS BELOW FRONT BUMPER	\$ 142.18
KME Fire App	N/A	TWO (2) PAINTED TOW HOOKS BELOW FRONT BUMPER	\$ 142.18
KME Fire App	N/A	CHAIN SYSTEM FOR SINGLE REAR AXLE (INSTA-CHAIN)	\$ 1,677.12
KME Fire App	N/A	CHAIN SYSTEM FOR TANDEM AXLE (INSTA-CHAIN)	\$ 1,898.61
KME Fire App	N/A	AUTOMATIC MOISTURE EJECTORS (ON ALL TANKS)	\$ 226.32
KME Fire App	N/A	HEATED AUTOMATIC MOISTURE EJECTORS ON ALL TANKS	\$ 403.32
KME Fire App	N/A	PULL CABLE DRAINS ON ALL AIR TANKS	\$ 362.70
KME Fire App	N/A	KUSSMAUL AUTO AIR EJECT INLET	\$ 309.50
KME Fire App	N/A	HEAVY DUTY SILICONE HEATER AND COOLANT HOSE	\$ 341.42
KME Fire App	N/A	SECONDARY BRAKING - ENGINE COMPRESSION BRAKE	\$ 2,538.90
KME Fire App	N/A	ALLISON 4000EVS, 5 SPEED AUTO TRANS W/OUTPUT RETARDER	\$24,015.58
KME Fire App	N/A	ALLISON TRANSMISSIONS, ELECTRONIC TOUCH PAD SHIFTER IN CAB	\$ 482.63



Kovatch Mobile Equipment/KME Fire Apparatus

KME Fire App	N/A	DEXTRON TRANS FLUID 4000EVS TRANSMISSION	\$ 79.31
KME Fire App	N/A	DRIVE LINE GUARD	\$ 193.44
KME Fire App	N/A	FUEL TANK - 65 GALLON, STEEL	\$ 830.82
KME Fire App	N/A	FUEL TANK - 100 GALLON, STEEL - H-D, R-M TANDEM AXLES ONLY	\$ 967.20
KME Fire App	N/A	FUEL LINES - PARAFLEX HTFL	\$ 181.83
KME Fire App	N/A	FUEL LINES - PARAFLEX HTFL	\$ 181.83
KME Fire App	N/A	FUEL PUMP SECONDARY ELECTRIC, REQ. ON 210" W-B OR LONGER	\$ 156.69
KME Fire App	N/A	FUEL POCKET, LEFT SIDE REAR WHEEL WELL PANEL	\$ 209.88
KME Fire App	N/A	FUEL POCKET, LEFT SIDE REAR WHEEL WELL PANEL	\$ 209.88
KME Fire App	N/A	2010 - CLASS-1 ES-KEY MULTI- PLEXED ELECTRICAL SYSTEM PREDATOR	\$12,449.80
KME Fire App	N/A	120 VOLT 20 AMP SUPER AUTO EJECT FOR BATT CHARGER - COMMERCIAL	\$ 339.49
KME Fire App	N/A	SHORELINE LOCATION - DRIVER'S STEP WELL	\$ 136.38
KME Fire App	N/A	KUSSMAUL MODEL #091-170- 12, AUTO CHARGE 12HO SINGLE CHARGER	\$ 828.89
KME Fire App	N/A	KUSSMAUL, MODEL #091-56-12, AUTO CHARGE 1000, SINGLE CHARGER	\$ 834.69
KME Fire App	N/A	KUSSMAUL, MODEL #091-9- 1000, PUMP PLUS 1000, W/ 12 VDC AIR	\$ 1,274.77
KME Fire App	N/A	120 VOLT 5-15R RECEPT REAR CREW AREA WIRED TO SHORELIN	\$ 243.73
KME Fire App	N/A	FEDERAL, #LF18TSB-LED "LITTLITE", MAP LIGHT @ CENTER OF DASH	\$ 155.72
KME Fire App	N/A	COLLINS #CD-PULS500 PULSAR 500 HANDLIGHT ON DASH	\$ 147.98
KME Fire App	N/A	OPTRONICS KB4001, "BLUE EYE"	\$ 113.16



Kovatch Mobile Equipment/KME Fire Apparatus

		HANDHELD SPOTLIGHT ON RIGHT SID	
KME Fire App	N/A	OPTRONICS QH101, HANDHELD SPOTLIGHT ON RIGHT SIDE DASH	\$ 85.11
KME Fire App	N/A	TWO (2) UNITY CAB CORNER SPOT LIGHTS	\$ 403.32
KME Fire App	N/A	FEDERAL #620102 "VISIBEAM" REMOTE SPOTLIGHT, DS SIDE OF CAB	\$ 403.32
KME Fire App	N/A	GOLIGHT #2020 REMOTE SPOT LIGHT, DS SIDE CAB	\$ 386.88
KME Fire App	N/A	12 VOLT CIGARETTE LIGHTER LOCATED IN CAB AS DIRECTED	\$ 88.98
KME Fire App	N/A	12 VOLT POWER AND GROUND CIRCUIT FOR ACCESSORIES IN DASH	\$ 130.57
KME Fire App	N/A	INTEC REAR VISION CAMERA SYS. CVM450 MONITOR/CVC210AHXL CAMER	\$ 1,579.44
KME Fire App	N/A	INTEC REAR VISION COLOR LCD SYS. CVM640LCD MONITOR/CVC460HXL	\$ 2,888.06
KME Fire App	N/A	SAFETY VISION COLOR LED SYSTEM SV-LCD70B-KIT	\$ 1,034.90
KME Fire App	N/A	FEDERAL SIGNAL CAMERA SYSTEM, 5.6" COLOR LCD - REAR CAMERA	\$ 862.74
KME Fire App	N/A	REAR VISION MONITOR MOUNTED ON CAB CEILING	\$ 88.98
KME Fire App	N/A	ZICO #ZQL-SS-H7614 QUIC-LIGHTS IN REAR WHEELWELL PANELS	\$ 500.04
KME Fire App	N/A	REAR STEP BUZZER	\$ 272.75
KME Fire App	N/A	NFPA (2) TRUCK LITE LED GROUND LIGHTS, BELOW CAB DOORS	\$ 303.70
KME Fire App	N/A	COMPT. LIGHTS, WHELEN LED STRIP - LEVEL 2, SINGLE	\$ 67.70
KME Fire App	N/A	COMPT. LIGHTS, WHELEN LED STRIP - LEVEL 2, DUAL	\$ 136.38
KME Fire App	N/A	HORN BUTTON - THREE WAY SWITCH	\$ 151.85



Kovatch Mobile Equipment/KME Fire Apparatus

KME Fire App	N/A	ECCO #SA-917 BACK-UP ALARM, SELF-ADJUSTING - 87DBA THRU 112DBA	\$ 101.56
KME Fire App	N/A	DUAL CHROME AIR HORNS	\$ 625.78
KME Fire App	N/A	DUAL AIR HORNS RECESSED IN FRONT BUMPER, STD	\$ 67.70
KME Fire App	N/A	DUAL AIR HORNS RECESSED IN FRONT BUMPER, STD	\$ 67.70
KME Fire App	N/A	AIR HORN CTRL - FOOT FOR OFFICER & STEERING WHEEL FOR DRIVER	\$ 64.80
KME Fire App	N/A	SIREN, WHELEN #295SLSA1, 200W	\$ 255.34
KME Fire App	N/A	ONE (1) WHELEN SA122FMP SPEAKER	\$ 238.90
KME Fire App	N/A	TWO (2) WHELEN SA122FMP SPEAKERS	\$ 477.80
KME Fire App	N/A	FEDERAL Q2B SIREN @ CAB FRONT	\$ 2,089.15
KME Fire App	N/A	Q2B MOUNT - LOCATED ON TOP OF DRIVER'S SIDE OF BUMPER	\$ 136.38
KME Fire App	N/A	SIREN CONTROL - LINEMASTER #632 FLOOR SWITCH, DS & OS	\$ 156.69
KME Fire App	N/A	ADDITIONAL SIREN BRAKE BUTTON NEAR OFFICER	\$ 131.54
KME Fire App	N/A	WEATHER BAND AM/FM/WX/CD PANASONIC W/ 4 SPEAKERS	\$ 664.47



Kovatch Mobile Equipment/KME Fire Apparatus

AERIALS

KME sole source, custom manufactures the broadest family of aerials in the fire service. With 21 aerial models, KME has an AerialCat for every department's needs.

Rear mount ladders and platforms range from 55' to 121', midmount ladders and platforms range from 81' to 105', and tractor drawn aerials come in a 75' and 100' version with or without a pump. KME AerialCats are designed to operate in real world conditions including dynamic loads, ice, wind and the dead weight of the ladder. Our aerials are subjected to rigorous proof load testing and UL certification and KME is the only manufacturer in the fire service to do this, because we know that the KME product is unequalled in strength, stability, and reliability.

Highlights

True Sole Source Engineering and Manufacturing of the Chassis, Body, and Aerial Device



All KME AerialCats are completely manufactured by knowledgeable KME manufacturing personnel: custom chassis, body, and aerial device. All components are engineered to work together efficiently and flawlessly and are backed by KME's strong warranty and capable customer service division.

State of the Art Controls



E-ZONE AerialCats are recognized as the strongest ladders available and now KME takes smooth operation to a whole new level. Our IQAN E-Control™ provides smoother, safer, and easier motion controls than any truck ever built for the fire service.

E-SPEED

E-CUSH

Intelligent Ladder Design



KME's intelligent ladder design provides smooth operation and decreased maintenance. The telescoping extension cylinder rods are fully enclosed at the base so they're protected from damage and weather. At full extension of the ladder, all hydraulic cylinders and rods are completely within the midsection of the ladder. This provides firefighters with clear and safe egress to and from the platform.

KME FireStix



Kovatch Mobile Equipment/KME Fire Apparatus

The KME FireStix is versatile with minimum setup time to maximize your firefighting response and offers the best of both a pumper and ladder truck. The FireStix is available on either a commercial or custom pumper chassis with a 500# tip load ladder.

KME offers two FireStix devices, a 55' two (2) section and a 75' three (3) section. KME FireStix water towers are known for their maneuverability with the shortest wheelbases and overall lengths and lowest travel heights in the industry. The boom sections are constructed of high strength steel with a 2:1 structural safety factor. Our FireStix are subjected to rigorous testing and UL certification.

Product Highlights

- The Rescue Ladder is Manufactured by KME from High Strength Steel, which is Type I Tested and Certified with the Boom Section
- Single waterway, which is enclosed inside the boom sections.
- -10 to +90 degree elevation range
- Internal tooth rotation bearing
- All FireStix are Tested and Certified by Underwriter Laboratories (UL)
- KME Manufactures the Entire FireStix Product In-house
- Torque Box Allows for Maximum Hosebed Storage Capability
- Extension Systems are Fully Enclosed inside the Boom Sections for Added Protection

ARFS75	75' FireStix-Pumper with water way
Chassis:	KME Custom Predator MFD Chassis with 6" Raised Roof
Engine:	Cummins ISC 300hp with Engine Brake
Transmission:	Allison EVS 3000 Automatic
Pump:	1000gpm, Single Stage
Water Tank:	150 Gallons, Polypropylene
Aerial Device:	75' FireStix Water Tower
Base Unit Price:	\$513,429.00 (including Industrial Funding Fee)
Delivery:	300-360 Days ARO Order

Contact KME for a full set of specifications, drawings and complete option list



Kovatch Mobile Equipment/KME Fire Apparatus

KME Rear Mount Ladders

KME sole source, custom manufactures Rear Mount Ladder aerials known for their maneuverability with the shortest wheelbases and overall lengths and lowest travel heights in the industry. KME's E-Control™ motion control systems provide unprecedented ease of control and smooth operation and superior safety systems. The aerial ladders are constructed of heavy duty, 100,000psi steel and are subjected to rigorous proof load testing and UL certification and KME is the only manufacturer in the fire service to do this, because we know that the KME product is unequalled in strength, stability, and reliability.

Product Highlights

- Available in True Ladder or Quint Configurations
- Available in Single and Tandem Axles Models
- Broad Range of Ladder Choices from 75' to 121'
- Multiple Travel Heights Available
- 500, 750 and 1000 lb. Tip Loads Available
- -5 to +80 Degree Range of Elevation
- 75' Models Have a Short 14' Jack Spread
- 75' and 100' Tandem Models Have Wheelbases as Short as 202" with OAL at Around 37'
- Low Maintenance Required
- Strongest Ladders in the Industry
- Consistency in Design Provides Proven Engineering and Yields Easy Parts Availability

ARRM75	<u>75' Rear Mount Ladder (Single Axle)</u>
Chassis:	KME Custom Predator MFD Chassis with 6" Raised Roof
Engine:	Cummins ISC 300hp with Engine Brake
Transmission:	Allison EVS 3000 Automatic
Pump:	1000gpm, Single Stage
Water Tank:	150 Gallons, Polypropylene
Aerial Device:	75' Ladder, 110,000psi Steel
Base Unit Price:	\$589,294.00 (including Industrial Funding Fee)
Delivery:	300-360 Days ARO Order

ARRM75TA	<u>75' Rear Mount Ladder (Tandem Axle)</u>
Chassis:	KME Custom Predator MFD Chassis with 6" Raised Roof
Engine:	Cummins ISX 370hp with Engine Brake
Transmission:	Allison EVS 3000 Automatic
Pump:	1000gpm, Single Stage
Water Tank:	150 Gallons, Polypropylene
Aerial Device:	75' Ladder, 110,000psi Steel
Base Unit Price:	\$636,457.00 (including Industrial Funding Fee)
Delivery:	300-360 Days ARO Order



Kovatch Mobile Equipment/KME Fire Apparatus

ARRM100	100' Rear Mount Ladder (Tandem Axle)
Chassis:	KME Custom Predator MFD Chassis with 6" Raised Roof
Engine:	Cummins ISX 370hp with Engine Brake
Transmission:	Allison EVS 3000 Automatic
Pump:	1000gpm, Single Stage
Water Tank:	150 Gallons, Polypropylene
Base Unit Price:	\$687,794.00 (including Industrial Funding Fee)
Delivery:	300-360 Days ARO Order

KME Rear Mount Platforms

KME sole source, custom manufactures two Rear Mount Ladder aerials in a 95' and 102' configuration with 1000lb platform loads. KME platforms are known for their maneuverability with the shortest wheelbases and overall lengths and lowest travel heights in the industry. KME's E-Control™ motion control systems provide unprecedented ease of control and smooth operation and superior safety systems. The aerial ladders are constructed of heavy duty, 100,000psi steel and are subjected to rigorous proof load testing and UL certification and KME is the only manufacturer in the fire service to do this, because we know that the KME product is unequalled in strength, stability, and reliability.

Product Highlights

- Available in a 95' or 102' Configuration
- Multiple Travel Heights Available from 136" to 151"
- Best Elevation in the Industry (-5 to +80 degrees)
- KME's Unique Cradle Platform Mounting Provides Precise Platform Leveling
- Low Maintenance Required
- Strongest Platform Aerials in the Industry
- Consistency in Design Provides Proven Engineering, Reliability and Yields Easy Parts Availability

ARRM102	102' Rear Mount Platform
Chassis:	KME Custom Predator MFD Chassis with 6" Raised Roof
Engine:	Cummins ISX 500hp with Engine Brake
Transmission:	Allison EVS 4000 Automatic
Pump:	1000gpm, Single Stage
Water Tank:	150 Gallons, Polypropylene
Aerial Device:	102' Platform, 110,000psi Steel
Base Unit Price:	\$783,540.00 (including Industrial Funding Fee)
Delivery:	360 Days ARO Order

Contact KME for a full set of specifications, drawings and complete option list



Kovatch Mobile Equipment/KME Fire Apparatus

KME Midmounts

KME sole source, custom manufactures a full family of midmount aerials with both four and five section devices ranging from 81' to 100'. KME midmounts are known for their maneuverability with the shortest wheelbases and overall lengths and lowest travel heights in the industry. KME's E-Control™ motion control systems provide unprecedented ease of control and smooth operation and superior safety systems. The KME midmount with it's capability of a -12 degree elevation, is the only device to reach ground level while fully retracted for ease and safety. Our aerials are subjected to rigorous proof load testing and UL certification and KME is the only manufacturer in the fire service to do this, because we know that the KME product is unequaled in strength, stability, and reliability.

Product Highlights

- Available in True Ladder or Quint Configurations
- Multiple Travel Heights Available at 119", 128" and 132"
- Best Elevation in the Industry (-12 to +80 degrees)
- 500, 750, and 1000lb Tip/Platform Loads Available
- 250" WB on a 100' 5 –Section Platform, this is almost 2' Shorter than Other Major Manufacturers' Aerials
- Over 200' of Ground Ladder Storage within the Aerial Body
- Wide Array of Body Compartment Options
- Standard Stainless Steel Plumbing and Electric Controls with Manual Overrides
- Computerized Outrigger Auto Leveling System Standard
- More Standard Features than Any Other Midmount in the Fire Service

ARMM81

81' MidMount Platform

Chassis: KME Custom Predator MFD Chassis with 6" Raised Roof
Engine: Cummins ISX 500hp with Engine Brake
Transmission: Allison EVS 4000 Automatic
Pump: 1500gpm, Single Stage
Water Tank: 150 Gallons, Polypropylene
Aerial Device: 81' Platform, 110,000psi Steel
Base Unit Price: \$870,387.00 (including Industrial Funding Fee)
Delivery: 300-360 Days ARO Order

ARMM95

95' Rear Mount Platform

Chassis: KME Custom Predator MFD Chassis with 6" Raised Roof
Engine: Cummins ISX 500hp with Engine Brake
Transmission: Allison EVS 4000 Automatic
Pump: 1500gpm, Single Stage
Water Tank: 150 Gallons, Polypropylene
Aerial Device: 95' Platform, 110,000psi Steel
Base Unit Price: \$872,412.00 (including Industrial Funding Fee)
Delivery: 300-360 Days ARO Order



Kovatch Mobile Equipment/KME Fire Apparatus

ARMM100 100' MidMount Platform

Chassis:	KME Custom Predator MFD Chassis with 6" Raised Roof
Engine:	Cummins ISX 500hp with Engine Brake
Transmission:	Allison EVS 4000 Automatic
Pump:	1500gpm, Single Stage
Water Tank:	150 Gallons, Polypropylene
Aerial Device:	100' Platform, 110,000psi Steel
Base Unit Price:	\$872,548.00 (including Industrial Funding Fee)
Delivery:	300-360 Days ARO Order

Contact KME for a full set of specifications, drawings and complete option list

KME Tractor Drawn Aerials

KME sole source, custom manufactures TDA aerials with or without pumps. KME tractor drawn aerials are known for their maneuverability with the shortest wheelbases in the industry. KME's E-Control™ motion control systems provide unprecedented ease of control and smooth operation and superior safety systems. The tiller cab offers outstanding visibility with a no post windshield and the trailer frame is by the far the strongest in the industry. Our aerials are subjected to rigorous proof load testing and UL certification and KME is the only manufacturer in the fire service to do this, because we know that the KME product is unequaled in strength, stability, and reliability.

Product Highlights

- Best Tiller Cab Visibility Available with "No Post Vision" Windshields and Molded Glass
- Low Maintenance Requirements and Unrivaled Strength
- Shortest Tractor and Trailer Wheelbase in the Industry
- Largest Compartmentation in the Industry
- Strongest Trailer Body in the Industry
- Body is Segmented into 3 Isolated Sections to Reduce Twisting from Road Dynamics

ARTDA100P 100' Tractor Drawn AerialCat

Chassis:	KME Custom Predator MFD Chassis with 6" Raised Roof
Engine:	Cummins ISX 500hp with Engine Brake
Transmission:	Allison EVS 4000 Automatic
Pump:	1000 gpm single stage
Water Tank:	150gal
Aerial Device:	100' Ladder, 110,000psi Steel
Base Unit Price:	\$863,932.00 (including Industrial Funding Fee)
Delivery:	300-360 Days ARO Order

Contact KME for a full set of specifications, drawings and complete option list



Kovatch Mobile Equipment/KME Fire Apparatus

ARTDA100NP	100' Tractor Drawn AerialCat
Chassis:	KME Custom Predator MFD Chassis with 6" Raised Roof
Engine:	Cummins ISX 500hp with Engine Brake
Transmission:	Allison EVS 4000 Automatic
Aerial Device:	100' Ladder, 110,000psi Steel
Base Unit Price:	\$791,918.00 (including Industrial Funding Fee)
Delivery:	300-360 Days ARO Order



Kovatch Mobile Equipment/KME Fire Apparatus

PUMPERS

When your department needs a new pumper, turn to KME Fire Apparatus. At KME our pumpers are custom-designed to your specifications. No hassles or fuss, just experienced engineers and manufacturing professionals building apparatus for the way you fight fires.

KME Fire Apparatus leads the way with over 300 custom cab and chassis combinations. Each with KME's outstanding engineering, quality and serviceability. All major commercial chassis are available as well. KME pumper bodies offer a full range of options including custom plumbing and custom compartmentation and are available in 3/16" aluminum, galvanealed steel, or stainless steel.

Highlights

Variety of Chassis Available



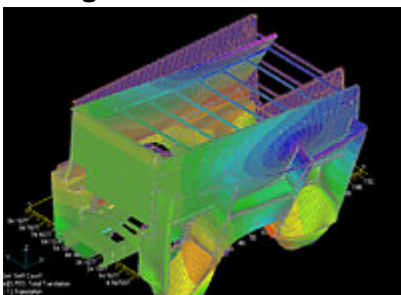
Choose from a variety of commercial chassis or one of over 300 KME custom chassis in 2 and 4 door styles in 4x2 or 4x4 configurations. KME offers numerous seating and raised roof options as well as cab air bottle storage, interior EMS compartments, and several short wheelbase options for maneuverability in tight areas.

Totally Custom Configurations



KME allows fire departments to totally customize their apparatus to meet the unique needs of the protection area. Special extended bumpers with discharges, tools, and winches; custom plumbing including foam and CAFS; flexible compartmentation including body roof compartments; and unique ladder, suction, and tool storage options are all examples of how KME makes custom easy.

Strong Bodies



KME pumper bodies are the strongest available to the fire service. They utilize fabricated body panels in conjunction with an extruded support structure which provides unsurpassed strength and flexibility. Bodies are available in aluminum, galvanealed steel or stainless steel.



Kovatch Mobile Equipment/KME Fire Apparatus

KME Commercial Pumpers

KME sole source, custom manufactures the most custom pumpers in the fire service. Customers can choose from a wide range of commercial chassis from many major manufacturers.

KME offers truly custom-built trucks to your specifications from the ground up. So your truck is your truck—unlike any other and customized to your needs, not your manufacturer's needs.

Product Highlights

- All major brands of commercial chassis in 2 and 4 door models in 4x2, 4x4, and 6x4 models
- Variety of bumper extensions and Pump Panel Options
- Galvannealed steel, aluminum or stainless steel bodies in hundreds of configurations
- 750 to 2250 gpm midship pump or PTO pumps available (polypropylene, fiberglass or stainless steel)
- Foam systems and CAFS available
- Custom discharge and suction layouts
- Hinged or roll-up doors available
- Variety of lighting and generator systems available

PMCOMMFB International 4400 2 Door Flatback 4x2 Pumper 40GVW

Chassis: International 4400 2 Door
Engine: Maxx Force 9 330 HP (Emission Standard Diesel Engine)
Transmission: EVS 3000 Automatic
Pump: 1000gpm Midship Pump, Side Mount Pump Panel
Water Tank: 500 Gallons, Polypropylene
Body: 12ga Gal Steel (Rollup or Hinged Doors)
Other: Diamond Logic Multiplex, NFPA Equipment Package
Base Unit Price: \$214,429.00 (including FET and Industrial Funding Fee)
Delivery: 180 Days ARO Chassis

PMCLGRWB International 4400 2 Door Challenger 4x2 Pumper 40GVW

Chassis: International 4400 2 Door
Engine: Maxx Force 9, 330hp (Emission Standard Diesel Engine)
Transmission: EVS 3000 Automatic
Pump: 1,250gpm Midship Pump, Side Mount Pump Panel
Water Tank: 750 Gallons, Polypropylene
Body: Aluminum Body (Rollup or Hinged Doors)
Other: Diamond Logic Multiplex, NFPA Equipment Package
Base Unit Price: \$220,433.00 (including FET and Industrial Funding Fee)
Delivery: 180 Days ARO Chassis

Contact KME for a full set of specifications, drawings and complete option list



Kovatch Mobile Equipment/KME Fire Apparatus

PMCLGRRS International 4400 2 Door 4x2 RS Pumper 35GVW
Chassis: International 4400 2 Door
Engine: Maxx Force 9, 330HP (Emission Standard Diesel Engine)
Transmission: EVS 3000 Automatic
Pump: 1,250gpm Midship Pump, Top Mount Pump Panel
Water Tank: 750 Gallons, Polypropylene
Body: Aluminum Body (Rollup or Hinged Doors)
Other: Diamond Logic Multiplex, NFPA Equipment Package
Base Unit Price: \$208,759.00 (including FET and Industrial Funding Fee)
Delivery: 180 Days ARO Chassis

PMCLGRFB International 4400 2 Door 4x2 FB Pumper 35GVW
Chassis: International 4400 2 Door
Engine: Maxx Force 9 330hp (Emission Standard Diesel Engine)
Transmission: EVS 3000 Automatic
Pump: 1,250gpm Midship Pump, Side Mount Pump Panel
Water Tank: 1000 Gallons, Polypropylene
Body: Aluminum Body (Rollup or Hinged Doors)
Other: Diamond Logic Multiplex, NFPA Equipment Package
Base Unit Price: \$218,026.00 (including FET and Industrial Funding Fee)
Delivery: 180 Days ARO Chassis

PMCONNHL International 4400 2 Door 4x2 HL Pumper 40GVW
Chassis: International 4400 2 Door
Engine: Maxx Force 9, 330hp (Emission Standard Diesel Engine)
Transmission: EVS 3000 Automatic
Pump: 1,250gpm Midship Pump, Side Mount Pump Panel
Water Tank: 750 Gallons, Polypropylene
Body: Aluminum Body (Rollup or Hinged Doors)
Other: Diamond Logic Multiplex, NFPA Equipment Package
Base Unit Price: \$209,400.00 (including FET and Industrial Funding Fee)
Delivery: 180 Days ARO Chassis

PMCOMMLEG International 4400 2 Door 4x2 Legacy Pumper
Chassis: International 4400 2Door
Engine: Maxx Force 9, 330hp (2007 Emission Standard Diesel Engine)
Transmission: EVS 3000 Automatic
Pump: 1,250gpm Midship Pump, Side Mount Pump Panel
Water Tank: 1000 Gallons, Polypropylene
Body: Aluminum
Other: Diamond Logic Multiplex, NFPA Equipment Package
Base Unit Price: \$215,009.00 (including FET and Industrial Funding Fee)
Delivery: 180 Days ARO Chassis

Contact KME for a full set of specifications, drawings and complete option list



Kovatch Mobile Equipment/KME Fire Apparatus

KME Custom Pumpers

KME sole source, custom manufactures the most custom pumpers in the fire service. With over 300 different custom cab configurations. KME offers numerous seating and storage compartment options including 2 door cabs with rear storage, 3 door cabs with command centers, cabs with rear crew door entry, and numerous styles of cab compartments.

Single and two-stage pumps are available from all major manufacturers ranging in capacities from 250gpm PTO-driven to 2250gpm midships. A variety of foam and CAF systems are also available. KME plumbing is offered in a full range of galvanized pipe, stainless steel, brass or high pressure hose. KME offers truly custom-built trucks to your specifications from the ground up. So your truck is your truck—unlike any other and customized to your needs, not your manufacturer's needs.

Product Highlights

- Over 300 cab and chassis configurations
- Cabs available in 2-door (storage compartment), 3-door (command center) and 4-door styles
- Variety of bumper extensions and raised roof options
- Many optional cab accessories are available
- Galvannealed steel, aluminum or stainless steel bodies in hundreds of configurations
- 750 to 2250gpm midship pump or PTO pumps available (polypropylene, fiberglass or stainless steel)
- Foam and CAF systems available
- Custom discharge and suction layouts
- Hinged or roll-up doors available
- Variety of lighting and generator systems available

PMLEGHL	KME Predator Panther Legacy HL Pumper
Chassis:	KME MFD Custom Tilt 4 Door (Predator Panther) Seating for 4, 10" Raised Roof
Engine:	350hp or higher Emission Standard Diesel Engine
Transmission:	EVS 3000 Automatic
Pump:	1250gpm Midship Pump, Side Mount Pump Panel
Water Tank:	1000 gallons
Body:	Aluminum Body (Rollup or Hinged Doors)
Base Unit Price:	\$238,961.00 (including Industrial Funding Fee)
Delivery:	300 Days ARO Order

Contact KME for a full set of specifications, drawings and complete option list



Kovatch Mobile Equipment/KME Fire Apparatus

PMCHWB	<u>KME Predator Pumper</u>
Chassis:	KME MFD Custom Tilt 4 Door (Predator Panther) Seating for 4, A/C, 10" Raised Roof
Engine:	350hp or higher Emission Standard Diesel Engine
Transmission:	EVS 3000 Automatic
Pump:	1250gpm Midship Pump, Side Mount Pump Panel
Water Tank:	500 gallons
Body:	Aluminum Body (Rollup or Hinged Doors)
Base Unit Price:	\$290,470.00 (including Industrial Funding Fee)
Delivery:	300 Days ARO Order

PMCHFB	<u>KME Predator Pumper</u>
Chassis:	KME MFD Custom Tilt 4 Door (Predator Panther) Seating for 4, A/C, 10" Raised Roof
Engine:	350hp or higher Emission Standard Diesel Engine
Transmission:	EVS 3000 Automatic
Pump:	1250gpm Midship Pump, Side Mount Pump Panel
Water Tank:	750 gallons
Body:	Aluminum Body (Rollup or Hinged Doors)
Base Unit Price:	\$293,135.00 (including Industrial Funding Fee)
Delivery:	300 Days ARO Order

PMFB	<u>KME Predator Pumper</u>
Chassis:	KME MFD Custom Tilt 4 Door (Predator Panther) Seating for 4, A/C, 10" Raised Roof
Engine:	350hp or higher Emission Standard Diesel Engine
Transmission:	EVS 3000 Automatic
Pump:	1250gpm Midship Pump, Side Mount Pump Panel
Water Tank:	750 gallons
Body:	Aluminum Body (Rollup or Hinged Doors)
Base Unit Price:	\$290,661.00 (including Industrial Funding Fee)
Delivery:	300 Days ARO Order

PMFLB	<u>KME Predator Pumper</u>
Chassis:	KME MFD Custom Tilt 4 Door (Predator Panther) Seating for 4, A/C, 10" Raised Roof
Engine:	350hp or higher Emission Standard Diesel Engine
Transmission:	EVS 3000 Automatic
Pump:	1250gpm Midship Pump, Side Mount Pump Panel
Water Tank:	750 gallons
Body:	Aluminum Body (Rollup or Hinged Doors)
Base Unit Price:	\$290,856.00 (including Industrial Funding Fee)
Delivery:	300 Days ARO Order

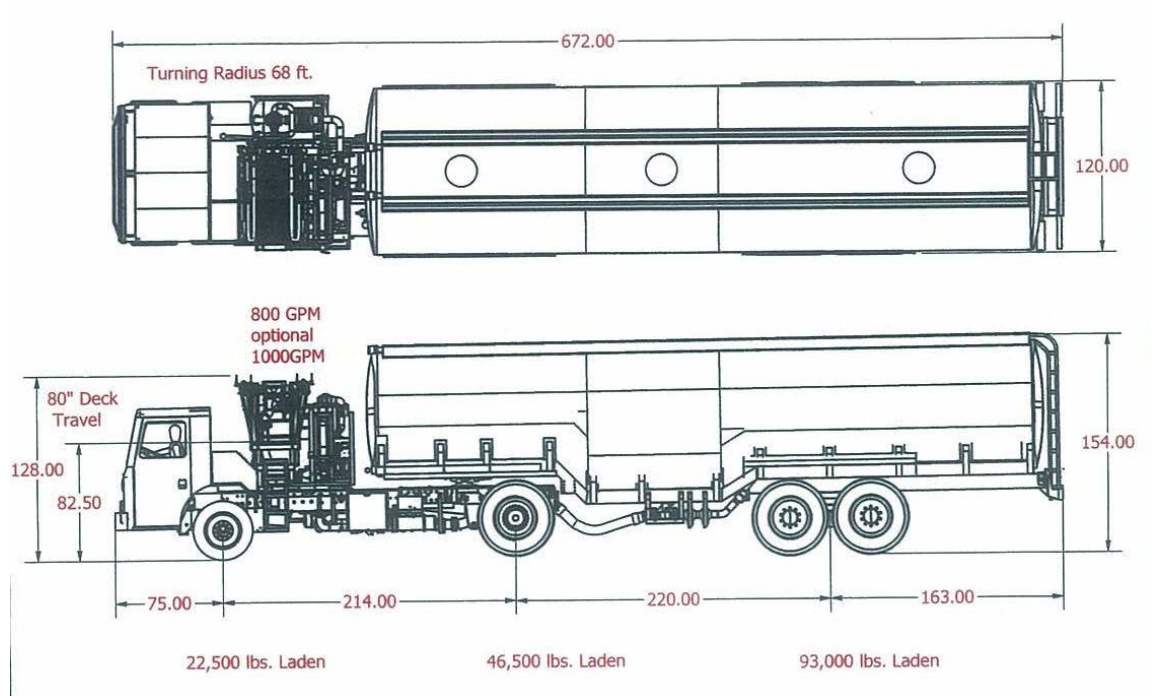
Contact KME for a full set of specifications, drawings and complete option list



Kovatch Mobile Equipment/KME Fire Apparatus

REFUELERS

Utilizing a long history of aviation refueling vehicles, KME now offers the 17.5k Rampmaster refueler to GSA clients.



APPLICATION	Fuel Tank Truck
MISSION	17,500 gallon for wide or narrow bodied aircraft fueling vehicle Electronically speed limited to 15 M.P.H. Sustained grade of 3.54% at 15 M.P.H.
ENGINE	Cummins QSB 225 H.P. Tier 4: 6.7 Liter 655 lbs./ ft. @1500 rpm.
TRANSMISSION	Allison 3000 RDS automatic with oil level sensor and push button selector
AXLE, FRONT	Dana D2000 W 22,000 LB
AXLE, REAR, (DRIVE)	PCS 1614- RSA 283 Rockwell 48,000 lbs.
CAB	CAB OVER galvanized Stock color white
TIRES, FRONT	315-80 R 22.5x9 tubeless with one piece wheels
TIRES, REAR (DRIVE)	OTR 5 piece wheels 14x25 with 1.5 flanges 44.5 /80-25 XGC tires
SUSPENSION FRONT	22,000 LB. leaf spring
SUSPENSION REAR	Chalmers 48,000 LB.
FRAME	110,000 PSI yeild strength, steel frame with reinforcement 11" double rail and 14" inverted "L"



Kovatch Mobile Equipment/KME Fire Apparatus

TANK (Trailer)	17,500 Gallons shell full-bare aluminum Single compartment, fully baffled .313 aluminum heads, sides and bottom DOT 406 construction with 92,000 LB capacity tandem axle with Chalmers 92,000 lb suspension 44.5/80-25xGC tires @23,000 lbs. each
Pump Module	800 GPM with 5th edition filter separator One x50'x2 1/2 Catherine single wrap side reel Hydraulic lift deck with 2x12'x2 1/2 hoses Liquid Controls M-80 meter with LCR II electronic register Gorman Rupp fuel/defuel system with eductor Armstrong air eliminator Whittaker F532 water slug defense system Flow control by Rampmaster Engine management system (REMS) Optional 2nd ground service reel Optional 1,000 GPM flow rate Optional Rampmaster hydrant fill Optional Rampmaster hydrant fill/hydrant fuel Stock color-white
Interlocks	Nozzles Pump/drive selector Upper deck, bottom load emergency interlock override provided
Miscellaneous	Rotating beacon Daytime running lights Pump mode indicator light Interlock override indicator light Chock holder Cone Holder



Kovatch Mobile Equipment/KME Fire Apparatus

TANKERS

Utilizing a long history of constructing innovative and dependable tankers for both the petroleum and fire markets, KME offers a "T" type and elliptical tanker. Tankers are manufactured in a variety of capacities and configurations, each with the customer's unique needs in mind.

KME offers a variety of tank sizes and styles including t-tank, wetside, and elliptical tankers. Body styles range from economical saddle mounted (chassis frame) compartments to full pumper tanker subframe bodies.

Pumps are available from all major manufacturers ranging in capacities from 250gpm to 2250gpm. PTO-driven attack or transfer pumps and midship pumps are available. Tankers are also available without pumps.

Highlights

Variety of Tank Configurations



KME capacities range from 1000 to over 4000 gallons. Tanks may be constructed of fiberglass, polypropylene, or stainless steel. Elliptical tanks are available in single or double (insulated) wall with a painted, brushed, or bright/skinned finish.

Flexible Body Compartmentation



Utilizing fabricated body panels in conjunction with an extruded support structure allows KME bodies to not only be strong, but flexible in their compartment layout. Compartment options include lowside, high/low, combination (single airpack), coffin compartments, and economical saddle mounted storage.

Variety of Storage Options



Tankers serve a variety of needs so KME offers plenty of options including tank storage (enclosed, drop down, electric, overhead, and thru the tank), suction and ladder storage (enclosed, electric, overhead, thru or under the tank), portable pump mounting with a special compartment to fit the pumps, as well as thousands of other options.



Kovatch Mobile Equipment/KME Fire Apparatus

T-Tankers

KME offers a wide variety of custom and commercial T-Tankers to fit the unique needs of your department. The T-Tanker line includes a selection of standard configurations, and the capabilities to custom design an apparatus to meet the specific needs of your department.

KME's T-Tankers are designed to store a maximum amount of water in a minimal space with a large array of options. All of our apparatus are designed to meet NFPA 1901 requirements, keeping the safety of your firefighters as our top priority. Design considerations include wheelbase analysis for axle loading from front to rear, as well as side to side weight distribution, to provide better vehicle handling for a safe water delivery system. KME recognizes that fire departments have unique requirements based on their local terrain and SOP's, to help accommodate those requirements we offer the widest variety of dump valve style and location options in the industry. Storage space on a pumper-tanker is critical, KME's custom body configurations eliminate "dead" space providing more storage space for your equipment.

Product Highlights

- Tanks are available in Poly or Fiberglass material with standard lifetime warranties.
- Configurations range from 1000 gallons to 4000 gallons with specialized tank capacities available upon request.
- Standard single axle body configurations range from 153" to 187" long, with up to 2000 gallons of water.
- Standard tandem axle body configurations range from 187" to 237" long, with up to 4000 gallons of water.
- Available compartmentation options include low side, low side/high side, full height/split depth, full height/full depth, low side with enclosed tank storage, and/or your custom design.
- Portable water tank storage options include hinged manual side rack, hinged electric side rack, hydraulic overhead rack, enclosed storage on compartment cap, through the tank storage, beneath tank storage, or in the hosebed storage.
- Suction hose storage options available in same configurations as portable water tanks.
- Ladder storage on pumper-tankers available on side of body, on electric or hydraulic powered racks, through the water tank, beneath the tank, or in the hosebed.
- Dumps available in 10" square configuration, or 8"/10"/12" round configurations. Custom sized round dumps available large than 12" upon request.
- Dumps can be located on the rear of the tank and/or off both sides, forward of the rear axle, behind the rear axle, or between the tandem axles.



Kovatch Mobile Equipment/KME Fire Apparatus

Elliptical Tankers

KME offers a full line of elliptical tankers ranging from the simple water hauler with no pump, to the fully loaded up tanker with a full pump, preconnects, and hose storage areas. The elliptical tankers are broken down into two basic product groups including the "LE" series tanker for the budget conscious, and the "LX" series for the full array of "bells and whistles". KME's Elliptical tankers are designed to carry any water capacity, ranging from 1000 gallons up to 4000+ gallons, in the safest means possible. All tanks and apparatus are designed to exceed NFPA 1901 requirements, keeping the safety of your firefighters as our top priority. Elliptical tanks utilize baffle designs that ensure safe operations when driving with empty, full, or partial loads, while still providing rapid dumping/filling capabilities. KME is proud to offer the widest range of options for dumps, compartmentation, and exterior storage, in the industry.

Product Highlights

- Tanks are available in Stainless Steel, Poly, or Fiberglass materials.
- Stainless steel tanks are available in single wall style with a brushed or painted finish, or double wall with a mirror finish skin.
- Poly tanks are available in a bare poly finish, painted finish, or mirror finish wrap.
- Fiberglass tanks are available with a plain fiberglass finish, color injected fiberglass finish, painted finish, or mirror finish wrap.

Configurations range from 1000 gallons to 4000+ gallons with specialized tank capacities available upon request.

<u>TKELLX2000</u>	<u>International 7400 2,000 Gallon Tanker</u>
Chassis:	International 7400 2 Door, 4x2
Engine:	Max Force 9, 330hp (Emission Standard Diesel Engine)
Transmission:	EVS 3000 Automatic
Pump:	500gpm PTO Pump, Side Mount Pump Panel
Water Tank:	2000 Gallons, Stainless Steel Elliptical Polypropylene
Body:	Elliptical Tanker Body
Other:	Diamond Logic Multiplex, NFPA Equipment Package
Base Unit Price:	\$ 215,059.00 (including FET and Industrial Funding Fee)
Delivery:	180 Days ARO Chassis

<u>TKELLX3000</u>	<u>International 7600TA 3000 Gallon Tanker</u>
Chassis:	International 7400 2 Door, 4x2
Engine:	Max Force 10, 410hp (Emission Standard Diesel Engine)
Transmission:	EVS 4000 Automatic
Pump:	500gpm PTO Pump, Side Mount Pump Panel
Water Tank:	3000 Gallons, Stainless Steel Elliptical Polypropylene
Body:	Elliptical Tanker Body
Other:	Diamond Logic Multiplex, NFPA Equipment Package
Base Unit Price:	\$ 252,253.00 (including FET and Industrial Funding Fee)
Delivery:	180 Days ARO Chassis

Contact KME for a full set of specifications, drawings and complete option list



Kovatch Mobile Equipment/KME Fire Apparatus

TKELLP3 **International 7600TA 3000 Gallon Tanker**
Chassis: International 7400 2 Door, 4x2
Engine: Max Force 10, 410hp (Emission Standard Diesel Engine)
Transmission: EVS 4000 Automatic
Pump: 500gpm PTO Pump, Side Mount Pump Panel
Water Tank: 3000 Gallons, Stainless Steel Elliptical Polypropylene
Body: Elliptical Tanker Body
Other: Diamond Logic Multiplex, NFPA Equipment Package
Base Unit Price: **\$ 248,592.00 (including FET and Industrial Funding Fee)**
Delivery: 180 Days ARO Chassis

TKELLP2 **International 7400 2000 Gallon Tanker**
Chassis: International 7400 2 Door, 4x2
Engine: Max Force 9, 330hp (Emission Standard Diesel Engine)
Transmission: EVS 3000 Automatic
Pump: 500gpm PTO Pump, Side Mount Pump Panel
Water Tank: 2000 Gallons, Stainless Steel Elliptical Polypropylene
Body: Elliptical Tanker Body
Other: Diamond Logic Multiplex, NFPA Equipment Package
Base Unit Price: **\$ 205,844.00 (including FET and Industrial Funding Fee)**
Delivery: 180 Days ARO Chassis

TKEIMLX **International 7400TA 2,000 Gallon Tanker**
Chassis: International 7400 2 Door, 4x2
Engine: Max Force 9, 330hp (2007 Emission Standard Diesel Engine)
Transmission: EVS 3000 Automatic
Pump: 750gpm Mid-ship Pump Single Stage, Side Mount Pump Panel
Water Tank: 2000 Polypropylene
Body: Eliminator Body
Other: Diamond Logic Multiplex, NFPA Equipment Package
Base Unit Price: **\$ 233,109.00 (including FET and Industrial Funding Fee)**
Delivery: 180 Days ARO Chassis

TKEIMLE **International 7400TA 3,000 Gallon Tanker**
Chassis: International 7400 2 Door, 4x2
Engine: Max Force 9, 330hp (2007 Emission Standard Diesel Engine)
Transmission: EVS 3000 Automatic
Pump: 750gpm Mid-ship Pump Single Stage, Side Mount Pump Panel
Water Tank: 3000 Polypropylene
Body: Eliminator Body
Other: Diamond Logic Multiplex, NFPA Equipment Package
Base Unit Price: **\$ 239,427.00 (including FET and Industrial Funding Fee)**
Delivery: 180 Days ARO Chassis



Kovatch Mobile Equipment/KME Fire Apparatus

TKWTLE **International 7400 2,000 Gallon Tanker**
Chassis: International 7400 2 Door, 4x2
Engine: Max Force 9, 330hp (2007 Emission Standard Diesel Engine)
Transmission: EVS 3000 Automatic
Pump: 500gpm Mid-ship Pump Single Stage, Side Mount Pump Panel
Water Tank: 2,000 Gallons, Polypropylene
Body: Eliminator Body
Other: Diamond Logic Multiplex, NFPA Equipment Package
Base Unit Price: \$ 219,481.00 (including FET and Industrial Funding Fee)
Delivery: 180 Days ARO Chassis

TKFB **International 7400 4x2 1800 Gallon Tanker**
Chassis: International 7400 2 Door, 6x4
Engine: Max Force 9, 330hp (2007 Emission Standard Diesel Engine)
Transmission: EVS 3000 Automatic
Pump: 1000gpm Mid-ship Pump Single Stage, Side Mount Pump Panel
Water Tank: 1800 Gallons, Polypropylene
Body: Flatback Body
Other: Diamond Logic Multiplex, NFPA Equipment Package
Base Unit Price: \$ 229,858.00 (including FET and Industrial Funding Fee)
Delivery: 180 Days ARO Chassis



Kovatch Mobile Equipment/KME Fire Apparatus

Wildland / US Forestry Products

Contract Number: GS-30F-1035D

KME Forestry Engines (Type 3, Type 4, and Type 6)

KME manufactures a line of Wildland products specifically designed to meet the specifications of various federal wildland firefighting agencies, including the USDA Forest Service and the Bureau of Land Management. The units are in compliance with the known specifications for these units at the end of 2009. Product sheets with options are available for each of these models.

These units may be purchased as a complete unit, or they may be mounted on a customer supplied chassis. *(Note: If ordering the body-only version, please provide a complete set of chassis specifications to KME at the time of order to validate the compatibility between the chassis and the firefighting package.)*

NOTE: The standard specification includes a custom paint color (typically Forest Service Green). Some chassis manufacturers (such as Dodge and Ford) may require a minimum order quantity to paint these units on the line. If the minimum order quantities are not provided in a single order, either the chassis build may be delayed until sufficient numbers with that paint code are booked, or the unit may be painted by KME after-the-fact for additional charge. Alternatively, the unit could be ordered in a standard color (such as white or red) without any delays or additional charges. KME will provide feedback to the purchasing agency at the time of order if this is a problem.

Pricing is based upon a single unit order. If multiple units are ordered, additional discounts may be available.

Additional options may be available upon request. Please contact KME if these products need to be further modified to meet your specific requirements.

MODEL LIST (SIN 618-04)

<u>KWFE01</u>	<u>Type 3 Heavy Engine on Customer Supplied Chassis</u> <u>(Similar to USFS Model 326/346)</u>
Chassis:	Customer Supplied <i>(designed for Navistar 4 door cab)</i>
Engine:	Customer Supplied
Transmission:	Customer Supplied
Pump:	Hale CBP PTO-driven Pump (250 gpm @ 150 psi) w/ Rear Mount Panel
Water Tank:	600 Gallons, Polypropylene (w/ 25 gallon foam cell)
Body:	Galvanneal Steel Body Construction Three Compartments Left Side (excluding preconnect & foam compartments) Three Compartments Right Side (excluding preconnect compartments)
Other:	FoamPro 2001, Multiplex Electrical System, LED Lighting
Base Unit Price:	<u>\$128,923.00 (including Industrial Funding Fee)</u>
Delivery:	150 Days ARO Chassis
<i>Contact KME for a full set of specifications, drawings, and complete option list</i>	



Kovatch Mobile Equipment/KME Fire Apparatus

KWFE02 Type 3 Heavy Engine on Customer Supplied Chassis (Similar to USFS Model 328/348)

Chassis: Customer Supplied (*designed for Navistar 2 door cab*)
Engine: Customer Supplied
Transmission: Customer Supplied
Pump: Hale CBP PTO-driven Pump (250 gpm @ 150 psi) w/ Rear Mount Panel
Water Tank: 800 Gallons, Polypropylene (w/ 25 gallon foam cell)
Body: Galvanneal Steel Body Construction
Four Compartments Left Side (excluding preconnect & foam compartments)
Four Compartments Right Side (excluding preconnect compartments)
Other: FoamPro 2001, Multiplex Electrical System, LED Lighting
Base Unit Price: \$130,866.00 (including Industrial Funding Fee)
Delivery: 150 Days ARO Chassis
Contact KME for a full set of specifications, drawings, and complete option list

KWFE07 Type 4 Heavy Engine on Customer Supplied Chassis (Similar to USFS Model 448)

Chassis: Customer Supplied (*designed for Navistar 4 door cab*)
Engine: Customer Supplied
Transmission: Customer Supplied
Pump: Darley 1.5AGE-34BS Diesel Powered Pump (150 gpm @ 150 psi) Mounted on Rear of Body w/ Rear Mount Panel
Water Tank: 800 Gallons, Polypropylene (w/ 25 gallon foam cell)
Body: Galvanneal Steel Body Construction
Three Compartments Left Side
Four Compartments Right Side
Spare Tire Compartment on Rear
Other: FoamPro 1601, Multiplex Electrical System, LED Lighting, Tire Lift System
Base Unit Price: \$ 137,342.00(including Industrial Funding Fee)
Delivery: 150 Days ARO Chassis
Contact KME for a full set of specifications, drawings, and complete option list

KWFE09 Type 4 Heavy Engine on Customer Supplied Chassis (Similar to BLM Model 667)

Chassis: Customer Supplied (*designed for Navistar 2 door cab*)
Engine: Customer Supplied
Transmission: Customer Supplied
Pump: Darley 1.5AGE / Kubota 35.1 Diesel Powered Pump (150 gpm @ 150 psi) Mounted on Rear of Body w/ Rear Mount Panel
Water Tank: 800 Gallons, Polypropylene (w/ 20 gallon foam cell)
Body: Stainless Steel Body Construction
Three Compartments Left Side
Four Compartments Right Side
Spare Tire Compartment on Rear
Other: FoamPro 1601, Multiplex Electrical System, LED Lighting
Base Unit Price: \$138,707.00 (including Industrial Funding Fee)
Delivery: 150 Days ARO Chassis
Contact KME for a full set of specifications, drawings, and complete option list



Kovatch Mobile Equipment/KME Fire Apparatus

KWFE11 Type 4 Heavy Engine on Customer Supplied Chassis (Similar to BLM Model 667M)

Chassis: Customer Supplied (*designed for Navistar 2 door cab*)
Engine: Customer Supplied
Transmission: Customer Supplied
Pump: Darley 1.5AGE / Kubota 35.1 Diesel Powered Pump (150 gpm @ 150 psi)
Mounted Middle of Body w/ Right Side Panel
Water Tank: 750 Gallons, Polypropylene (w/ 20 gallon foam cell)
Body: Stainless Steel Body Construction
Three Compartments Left Side
Three Compartments Right Side
Spare Tire Compartment on Rear
Other: FoamPro 1601, Multiplex Electrical System, LED Lighting
Base Unit Price: \$138,728.00 (including Industrial Funding Fee)
Delivery: 150 Days ARO Chassis
Contact KME for a full set of specifications, drawings, and complete option list

KWLB01 Type 6 Light Engine on Customer Supplied Chassis (Similar to USFS Model 643U)

Chassis: Customer Supplied
Engine: Customer Supplied
Transmission: Customer Supplied
Pump: Darley 1.5AGE-34BS Diesel Powered Pump (150 gpm @ 150 psi)
Water Tank: 300 Gallons, Polypropylene (w/ 12 gallon foam cell)
Body: Fiber Composite Construction
Full Depth Rescue Style Compartments Left Side
Full Depth Long-Handle Tool Storage Compartments Right Side
Fiber Composite Hose Storage Right Side, Fuel Storage Left Side
Other: FoamPro 1601, Class1 ES-Key Multiplex Electrical System, LED Lighting
Base Unit Price: \$80,403.00 (including Industrial Funding Fee)
Delivery: 120 Days ARO Chassis
Contact KME for a full set of specifications, drawings, and complete option list

KWLB03 Type 6 Light Engine on Customer Supplied Chassis (Similar to BLM Model 664)

Chassis: Customer Supplied
Engine: Customer Supplied
Transmission: Customer Supplied
Pump: Darley 1.5AGE-26BD Diesel Powered Pump (130 gpm @ 150 psi)
Water Tank: 300 Gallons, Polypropylene (w/ 18 gallon foam cell)
Body: Fiber Composite Construction
Full Depth Rescue Style Compartments Left Side
Full Depth Long-Handle Tool Storage Compartments Right Side
Fiber Composite Hose Storage Right Side, Fuel Storage Left Side
Other: FoamPro 1601, Class1 ES-Key Multiplex Electrical System, LED Lighting, Dual Hosereels
Base Unit Price: \$79,014.00 (including Industrial Funding Fee)
Delivery: 120 Days ARO Chassis
Contact KME for a full set of specifications, drawings, and complete option list



Kovatch Mobile Equipment/KME Fire Apparatus

KWLB05 **Type 6 Light Engine on Customer Supplied Chassis** **(Similar to USFS Model 643P)**

Chassis: Customer Supplied
Engine: Customer Supplied
Transmission: Customer Supplied
Pump: Darley 1.5AGE-34BS Diesel Powered Pump (150 gpm @ 150 psi)
Water Tank: 300 Gallons, Polypropylene (w/ 12 gallon foam cell)
Body: Aluminum Flatbed Style Construction
Four Compartments on Left Side (w/ Flush Doors)
Two Compartments on Right Side (2/ Flush Doors)
Other: FoamPro 1601, Class1 ES-Key Multiplex Electrical System, LED Lighting
Base Unit Price: \$89,400.00 (including Industrial Funding Fee)
Delivery: 120 Days ARO Chassis
Contact KME for a full set of specifications, drawings, and complete option list

KWFE03 **Type 3 Heavy Engine on Navistar 7400 4x2 Four Door** **(Similar to USFS Model 326)**

Chassis: Navistar 7400 SBA 4x2 Four-Door Cab
Engine: Maxxforce 9 330 hp Diesel (950 lb-ft torque)
Transmission: Allison 3500 EVS-P 6-speed Automatic
Pump: Hale CBP PTO-driven Pump (250 gpm @ 150 psi) w/ Rear Mount Panel
Water Tank: 600 Gallons, Polypropylene (w/ 25 gallon foam cell)
Body: Galvanneal Steel Body Construction
Three Compartments Left Side (excluding preconnect & foam compartments)
Three Compartments Right Side (excluding preconnect compartments)
Other: FoamPro 2001, Multiplex Electrical System, LED Lighting, 37,000 lbs GVWR
Base Unit Price: \$219,729.00 (including Industrial Funding Fee)
Federal Excise Tax: \$10,401
Delivery: 180 Days ARO Chassis
Contact KME for a full set of specifications, drawings, and complete option list

KWFE04 **Type 3 Heavy Engine on Navistar 7400 4x4 Four Door** **(Similar to USFS Model 346)**

Chassis: Navistar 7400 SFA 4x4 Four-Door Cab
Engine: Maxxforce 9 330 hp Diesel (950 lb-ft torque)
Transmission: Allison 3000 EVS-P 6-speed Automatic
Pump: Hale CBP PTO-driven Pump (250 gpm @ 150 psi) w/ Rear Mount Panel
Water Tank: 600 Gallons, Polypropylene (w/ 25 gallon foam cell)
Body: Galvanneal Steel Body Construction
Three Compartments Left Side (excluding preconnect & foam compartments)
Three Compartments Left Side (excluding preconnect compartments)
Other: FoamPro 2001, Multiplex Electrical System, LED Lighting, 37,000 lbs GVWR
Base Unit Price: \$247,367.00 (including Industrial Funding Fee)
Federal Excise Tax: \$13,597
Delivery: 180 Days ARO Chassis
Contact KME for a full set of specifications, drawings, and complete option list



Kovatch Mobile Equipment/KME Fire Apparatus

KWFE05 **Type 3 Heavy Engine on Navistar 7400 4x2 Two Door** **(Similar to USFS Model 328)**

Chassis: Navistar 7400 SBA 4x2 Two-Door Cab
Engine: Maxxforce 9 330 hp Diesel (950 lb-ft torque)
Transmission: Allison 3500 EVS-P 6-speed Automatic
Pump: Hale CBP PTO-driven Pump (250 gpm @ 150 psi) w/ Rear Mount Panel
Water Tank: 800 Gallons, Polypropylene (w/ 25 gallon foam cell)
Body: Galvanneal Steel Body Construction
Four Compartments Left Side (excluding preconnect & foam compartments)
Four Compartments Left Side (excluding preconnect compartments)
Other: FoamPro 2001, Multiplex Electrical System, LED Lighting, 37,000 lbs GVWR
Base Unit Price: \$213,593.00 (including Industrial Funding Fee)
Federal Excise Tax: \$9,467
Delivery: 180 Days ARO Chassis

Contact KME for a full set of specifications, drawings, and complete option list

KWFE06 **Type 3 Heavy Engine on Navistar 7400 4x4 Two Door** **(Similar to USFS Model 348)**

Chassis: Navistar 7400 SFA 4x4 Two-Door Cab
Engine: Maxxforce 9 330 hp Diesel (950 lb-ft torque)
Transmission: Allison 3000 EVS-P 6-speed Automatic
Pump: Hale CBP PTO-driven Pump (250 gpm @ 150 psi) w/ Rear Mount Panel
Water Tank: 800 Gallons, Polypropylene (w/ 25 gallon foam cell)
Body: Galvanneal Steel Body Construction
Four Compartments Left Side (excluding preconnect & foam compartments)
Four Compartments Left Side (excluding preconnect compartments)
Other: FoamPro 2001, Multiplex Electrical System, LED Lighting, 41,000 lbs GVWR
Base Unit Price: \$239,674.00 (including Industrial Funding Fee)
Federal Excise Tax: \$12,483
Delivery: 180 Days ARO Chassis

Contact KME for a full set of specifications, drawings, and complete option list

KWFE08 **Type 4 Heavy Engine on Navistar 7400 4x4 Four Door** **(Similar to USFS Model 448)**

Chassis: Navistar 7400 SFA 4x4 Four-Door Cab (37,000 lbs GVWR)
Engine: Maxxforce 9 330 hp Diesel (950 lb-ft torque)
Transmission: Allison 3000 EVS 6-speed Automatic
Pump: Darley 1.5AGE-34BS Diesel Powered Pump (150 gpm @ 150 psi) Mounted on Rear of Body w/ Rear Mount Panel
Water Tank: 800 Gallons, Polypropylene (w/ 25 gallon foam cell)
Body: Galvanneal Steel Body Construction
Three Compartments Left Side
Four Compartments Right Side
Spare Tire Compartment on Rear
Other: FoamPro 1601, Multiplex Electrical System, LED Lighting, Tire Lift System,
Base Unit Price: \$254,630.00 (including Industrial Funding Fee)
Federal Excise Tax: \$13,597
Delivery: 180 Days ARO Chassis

Contact KME for a full set of specifications, drawings, and complete option list



Kovatch Mobile Equipment/KME Fire Apparatus

KWFE10 **Type 4 Heavy Engine on Navistar 7400 4x4 Two Door** **(Similar to BLM Model 667)**

Chassis: Navistar 7400 SFA 4x4 Two-Door Cab
Engine: Maxxforce DT 300 hp Diesel (680 lb-ft torque)
Transmission: Allison 3500 EVS 6-speed Automatic
Pump: Darley 1.5AGE / Kubota 35.1 Diesel Powered Pump (150 gpm @ 150 psi)
Mounted on Rear of Body w/ Rear Mount Panel
Water Tank: 850 Gallons, Polypropylene (w/ 20 gallon foam cell)
Body: Stainless Steel Body Construction
Three Compartments Left Side
Four Compartments Right Side
Spare Tire Compartment on Rear
Other: FoamPro 1601, Multiplex Electrical System, LED Lighting, 33,000 lbs GVWR
Base Unit Price: \$248,288.00 (including Industrial Funding Fee)
Delivery: 180 Days ARO Chassis
Contact KME for a full set of specifications, drawings, and complete option list

KWFE12 **Type 4 Heavy Engine on Navistar 7400 4x4 Two Door** **(Similar to BLM Model 667M)**

Chassis: Navistar 7400 SFA 4x4 Two-Door Cab
Engine: Maxxforce DT 300 hp Diesel (680 lb-ft torque)
Transmission: Allison 3500 EVS 6-speed Automatic
Pump: Darley 1.5AGE / Kubota 35.1 Diesel Powered Pump (150 gpm @ 150 psi)
Mounted Middle of Body w/ Right Side Panel
Water Tank: 750 Gallons, Polypropylene (w/ 20 gallon foam cell)
Body: Stainless Steel Body Construction
Three Compartments Left Side
Three Compartments Right Side
Spare Tire Compartment on Rear
Other: FoamPro 1601, Multiplex Electrical System, LED Lighting, 33,000 lbs GVWR
Base Unit Price: \$248,254.00 (including Industrial Funding Fee)
Delivery: 180 Days ARO Chassis
Contact KME for a full set of specifications, drawings, and complete option list

KWLB02 **Type 6 4x4 Light Engine on a 4x4 Dodge 5500 Crew Cab** **(Similar to USFS Model 643U)**

Chassis: Dodge 5500 4x4 Quad Cab
Engine: Cummins 305 HP 6.7 Liter Turbo Diesel (610 lb-ft)
Transmission: 6-Speed Automatic w/ PTO Provision
Pump: Darley 1.5AGE-34BS Diesel Powered Pump (150 gpm @ 150 psi)
Water Tank: 300 Gallons, Polypropylene (w/ 12 gallon foam cell)
Body: Fiber Composite Construction
Full Depth Rescue Style Compartments Left Side
Full Depth Long-Handle Tool Storage Compartments Right Side
Fiber Composite Hose Storage Right Side, Fuel Storage Left Side
Other: FoamPro 1601, Class1 ES-Key Multiplex Electrical System, LED Lighting
Base Unit Price: \$124,776.00 (including Industrial Funding Fee)



Kovatch Mobile Equipment/KME Fire Apparatus

Delivery: 180 Days ARO Chassis
Contact KME for a full set of specifications, drawings, and complete option list

KWLB04 Type 6 4x4 Light Engine on a 4x4 Dodge 5500 2-Door Cab **(Similar to BLM Model 664)**

Chassis: Dodge 5500 4x4 Two Door Cab
Engine: Cummins 305 HP 6.7 Liter Turbo Diesel (610 lb-ft)
Transmission: 6-Speed Automatic w/ PTO Provision
Pump: Darley 1.5AGE-26BD Diesel Powered Pump (130 gpm @ 150 psi)
Water Tank: 300 Gallons, Polypropylene (w/ 18 gallon foam cell)
Body: Fiber Composite Construction
Full Depth Rescue Style Compartments Left Side
Full Depth Long-Handle Tool Storage Compartments Right Side
Fiber Composite Hose Storage Right Side, Fuel Storage Left Side
Other: FoamPro 1601, Class1 ES-Key Multiplex Electrical System, LED Lighting, Dual Hosereels

Base Unit Price: \$122,482.00 (including Industrial Funding Fee)

Delivery: 120 Days ARO Chassis
Contact KME for a full set of specifications, drawings, and complete option list

KWLB06 Type 6 Light Engine on Customer Supplied Chassis **(Similar to USFS Model 643P)**

Chassis: Dodge 5500 4x4 Two Door Cab
Engine: Cummins 305 HP 6.7 Liter Turbo Diesel (610 lb-ft)
Transmission: 6-Speed Automatic w/ PTO Provision
Pump: Darley 1.5AGE-34BS Diesel Powered Pump (150 gpm @ 150 psi)
Water Tank: 300 Gallons, Polypropylene (w/ 12 gallon foam cell)
Body: Aluminum Flatbed Style Construction
Four Compartments on Left Side (w/ Flush Doors)
Two Compartments on Right Side (w/ Flush Doors)
Other: FoamPro 1601, Class1 ES-Key Multiplex Electrical System, LED Lighting

Base Unit Price: \$133,773.00 (including Industrial Funding Fee)

Delivery: 120 Days ARO Chassis
Contact KME for a full set of specifications, drawings, and complete option list

KMFCC10CSC 10 Person Crew Carrier on Customer Supplied Chassis

Chassis: Customer Supplied
Engine: Customer Supplied
Transmission: Customer Supplied
Pump: N/A
Water Tank: N/A
Body: Steel Body Construction
Tool Storage Compartments Under Left & Right Side Of Body W/ Flush Doors
Overhead and Rear Tool Storage Inside the Crew Area
Seating For 8 Inside the Body W/ Individual Reclining Crew Seats
Other: Multiplex Electrical System, Warning lights, HVAC in crew area

Base Unit Price: \$ 108,478.00 (including Industrial Funding Fee)

Delivery: 120 Days ARO Chassis



Kovatch Mobile Equipment/KME Fire Apparatus

Contact KME for a full set of specifications, drawings, and complete option list

<u>KMFCC10</u>	<u>10 Person Crew Carrier on Navistar 7400</u>
Chassis:	Navistar 7400 SBA 4x2 Two-Door Cab
Engine:	Maxxforce 9 310 hp Diesel
Transmission:	Allison 3000 RDS 6-speed Automatic
Pump:	N/A
Water Tank:	N/A
Body:	Steel Body Construction Tool Storage Compartments Under Left & Right Side Of Body W/ Flush Doors Overhead and Rear Tool Storage Inside the Crew Area Seating For 8 Inside the Body W/ Individual Reclining Crew Seats
Other:	Multiplex Electrical System, Warning lights, HVAC in crew area
Base Unit Price:	<u>\$ 199,999.00 (including Industrial Funding Fee)</u>
Delivery:	120 Days ARO Chassis

<u>KMTT1500</u>	<u>Navistar 7400 2DR 4x2 Tactical Tanker</u>
Chassis:	Navistar 7400 SBA 4x2 Two-Door Cab
Engine:	Maxxforce 9 310 hp Diesel
Transmission:	Allison 3000 RDS 6-speed Automatic
Pump:	N/A
Water Tank:	N/A
Body:	Steel Body Construction Tool Storage Compartments Under Left & Right Side
Other:	Multiplex Electrical System, Warning lights, HVAC in crew area
Base Unit Price:	<u>\$ 208,482.00 (including Industrial Funding Fee)</u>
Delivery:	120 Days ARO Chassis

Contact KME for a full set of specifications, drawings, and complete option list



Kovatch Mobile Equipment/KME Fire Apparatus

RESCUES

When it comes to rescues, nowhere is the fire service's demand greater for customization, efficiency, and storage space. That makes KME the perfect choice for both light and heavy rescues. KME's design and manufacturing process offers a no hassle way to get a rescue that fits your exact specifications.

Light, medium, and heavy duty rescues in a walk-in, walk-around, or combination configuration from 10' to over 25' in either 3/16" aluminum or stainless steel.

In today's environment, you never know what you'll encounter when you get to the scene, your department needs to be prepared for anything. Turn to KME, we can help you carry the load with dependable, custom rescues that are always ready to respond.

Highlights

Variety of Chassis Configurations



KME rescues are available on a variety of commercial chassis starting at 15,000lb GVWR in a 4x2 or 4x4 configuration. Heavy duty rescues are available on a variety of commercial chassis or one of over 300 KME custom chassis configurations. KME custom cab configurations include 2 door with rear transverse storage compartment, 3 door command cabs, and 4 door models with multiple seating options.

Custom Interior and Exterior



Interiors have full diamond plate walkways floors and walls and are configured for a variety of purposes including rehab, command post, EMS/paramedic, and communications. Exterior compartments may be customized with dividers, shelving, brackets, tool boards, or trays. KME's standard compartments offer plenty of storage including body roof and under body compartments for airbags and cribbing.

Numerous Options



Rescues are available with hundreds of options including pumps and water tanks; custom configured bumpers with storage wells for tools, reels, or winches; cascade systems; wide range of air, electric and hydraulic reels; gas, diesel or PTO driven generators from 3,500 to 45,000 watts; as well as special lighting.



Kovatch Mobile Equipment/KME Fire Apparatus

Light Duty Rescues

KME Light Duty rescues offer a full range of options to customize to your unique needs. Available in lengths from 10' to 13', these units offer plenty of heavy duty features. While many manufacturers use 1/8" or lighter material, KME utilizes 3/16" substructure, 3/16" door skins, and 3/16" roofs for the most rugged rescues available to the fire service.

In today's environment, you never know what you'll encounter when you get to the scene, your department needs to be prepared for anything. Turn to KME, we can help you carry the load with dependable, custom rescues that are always ready to respond.

Product Highlights

- Available on Ford or GMC commercial chassis ranging from 11,200# to 19,000# GVWR.
- 4x2 and 4x4 Configurations Available in 2 and 4 Door Models
- Aluminum Rescue Bodies Ranging from 10' to 13'
- Both Walk-In and Walk-Around Styles Available with Custom Compartmentation
- Rugged Body Substructure of 3/16" Aluminum with 3" X1½" X 3/8" Aluminum Structural Tubing.
- Roofs Are Bolted and Sealed Using 3/16" Aluminum Diamond Plate For Maximum Weather Seal and Strength.
- Numerous Options Including Light Towers, Cascade Systems, Generators with Reels, Hydraulic Systems , and Many More Items

Medium Duty Rescues

KME Medium Duty rescues offer a good compromise for Fire Departments that need more than a Light Duty but can't afford or need a Heavy Rescue. The Medium duty is packaged to be affordable while giving the most in compartment space and a heavier chassis than the Ford F-550 Super-Duty. Available in 13'-7" and 15'-5" body lengths, these units offer plenty of heavy duty features. While many manufacturers use 1/8" or lighter material, KME utilizes 3/16" substructure, 3/16" door skins, and 3/16" roofs for the most rugged rescues available to the fire service. The medium duty offers a 96" wide body with 26" deep compartments, transverse over the chassis frame.

In today's environment, you never know what you'll encounter when you get to the scene, your department needs to be prepared for anything. Turn to KME, we can help you carry the load with dependable, custom rescues that are always ready to respond.



Kovatch Mobile Equipment/KME Fire Apparatus

Heavy Duty Rescues

KME offers heavy duty rescues in a walk around, walk-in, and combination style in either 3/16" aluminum or stainless steel. These rescues are the most rugged, custom units available to the fire service. KME's formed body design allows for maximum compartment space (29" deep or transverse) and greater design flexibility. The fully integrated roof and light tower compartments and walkways ensure a complete, one piece welded unit with unrivaled strength and weatherproof security.

In today's environment, you never know what you'll encounter when you get to the scene, your department needs to be prepared for anything. Turn to KME, we can help you carry the load with dependable, custom rescues that are always ready to respond.

Product Highlights

- Available on a KME custom or commercial chassis
- Custom cab configurations include 2-Door with a rear transverse storage compartment, 3-Door command cabs, and traditional 4-Door models with multiple seating options
- drop down frames in rear are available for easy rear compartment access
- Raised roofs are available up to 26" for maximum headroom comfort and maneuverability
- KME bodies are available in 3/16" aluminum, 12ga galvanized steel and 12ga stainless steel in lengths from 13' to over 25'
- 29" deep, 66" high standard compartments (taller compartments available) with roll up or hinged doors
- KME custom construction makes maximum use of body space offering transverse compartments, split depth compartments above the frame, and small compartments for unique storage using space that is normally wasted on competitors' models
- Compartments may be customized with dividers, shelving, brackets, tool boards and trays

RSLT84 Ford Light Duty 84" CA Walk Around Rescue

Chassis: Ford F550, 4 Door, 4x4
Engine: V8 Power Stroke Diesel (Emission Standard Diesel Engine)
Transmission: 5 speed Automatic
Body: Aluminum Walk Around Rescue Body (Hinged or Roll Up Doors)
Base Unit Price: \$ 115,288.00 (including Industrial Funding Fee)
Delivery: 180 Days ARO Chassis

RSLT842 Ford Light Duty 84" CA Walk Around Rescue

Chassis: Ford F550, 2 Door, 4x4
Engine: V8 Power Stroke Diesel (Emission Standard Diesel Engine)
Transmission: 5 speed Automatic
Body: Aluminum Walk Around Rescue Body (Hinged or Roll Up Doors)
Base Unit Price: \$ 111,164.00 (including Industrial Funding Fee)
Delivery: 180 Days ARO Chassis



Kovatch Mobile Equipment/KME Fire Apparatus

RSLT602 Ford Light Duty 60"CA Walk Around Rescue

Chassis: Ford F550, 2 Door, 4x4
Engine: V8 Power Stroke Diesel (Emission Standard Diesel Engine)
Transmission: 5 speed Automatic
Body: Aluminum Walk Around Rescue Body (Hinged or Roll Up Doors)
Base Unit Price: \$ 111,558.00 (including Industrial Funding Fee)
Delivery: 180 Days ARO Chassis

RSLT604 Ford Light Duty 60"CA Walk Around Rescue

Chassis: Ford F550, 4 Door, 4x4
Engine: V8 Power Stroke Diesel (Emission Standard Diesel Engine)
Transmission: 5 speed Automatic
Body: Aluminum 157" Walk Around Rescue Body (Hinged or Roll Up Doors)
Base Unit Price: \$ 114,560.00 (including Industrial Funding Fee)
Delivery: 180 Days ARO Chassis

RSMD4DR207 International 4400 Medium Duty Walk Around Rescue

Chassis: International 4400, 4 Door, 4x2
Engine: International Max force, 330hp (Emission Standard Diesel Engine)
Transmission: 5 speed Automatic
Body: Aluminum Walk Around Rescue Body (Hinged or Roll Up Doors)
Base Unit Price: \$ 203,577.00 (including FET and Industrial Funding Fee)
Delivery: 220 Days ARO Chassis

RSMD4DR181 International 4400 Medium Duty Walk Around Rescue

Chassis: International 4400, 4 Door, 4x2
Engine: International Max Force, 330hp (Emission Standard Diesel Engine)
Transmission: 5 speed Automatic
Body: Aluminum Walk Around Rescue Body (Hinged or Roll Up Doors)
Base Unit Price: \$ 198,677.00 (including FET and Industrial Funding Fee)
Delivery: 220 Days ARO Chassis

RSMD2DR207 International 4400 Medium Duty Walk Around Rescue

Chassis: International 4400, 2 Door, 4x2
Engine: International Max Force, 330hp (Emission Standard Diesel Engine)
Transmission: 5 speed Automatic
Body: Aluminum Walk Around Rescue Body (Hinged or Roll Up Doors)
Base Unit Price: \$ 194,083.00 (including FET and Industrial Funding Fee)
Delivery: 220 Days ARO Chassis

RSMD2DR181 International 4400 Medium Duty Walk Around Rescue

Chassis: International 4400, 2 Door, 4x2
Engine: International Max Force, 330hp (Emission Standard Diesel Engine)
Transmission: 5 speed Automatic
Body: Aluminum Walk Around Rescue Body (Hinged or Roll Up Doors)
Base Unit Price: \$ 188,393.00 (including FET and Industrial Funding Fee)
Delivery: 220 Days ARO Chassis

Contact KME for a full set of specifications, drawings and complete option list



Kovatch Mobile Equipment/KME Fire Apparatus

RSCM207 KME Predator Panther Custom Heavy Duty Walk Around Rescue

Chassis: KME Custom Tilt 4 Door (Predator)
Seating for 4, 10" Raised Roof, Hard Wired Electrical System
Premium Interior
Engine: Maxx Force 10 350hp (Emission Standard Diesel Engine)
Transmission: EVS 3000, 5 speed Automatic
Body: Aluminum Walk Around Rescue Body (Hinged or Roll Up Doors)
Base Unit Price: \$ 224,444.00 (including Industrial Funding Fee)
Delivery: 300-330 Days ARO Chassis

RSCM181 KME Predator Panther Custom Heavy Duty Walk Around Rescue

Chassis: KME Custom Tilt 4 Door (Predator)
Seating for 4, 10" Raised Roof, Hard Wired Electrical System
Premium Interior
Engine: Maxx Force 10 350hp (Emission Standard Diesel Engine)
Transmission: EVS 3000, 5 speed Automatic
Body: Aluminum Walk Around Rescue Body (Hinged or Roll Up Doors)
Base Unit Price: \$ 221,182.00 (including Industrial Funding Fee)
Delivery: 300-330 Days ARO Chassis

RSHV278 KME Predator Custom Heavy Duty Walk Around Rescue

Chassis: KME Custom Tilt 4 Door (Predator)
Seating for 4, A/C, 10" Raised Roof, Hard Wired Electrical System
Premium Interior
Engine: Cummins ISX 500hp (Emission Standard Diesel Engine)
Transmission: EVS 4000, 5 speed Automatic
Body: Aluminum Walk Around Rescue Body (Hinged or Roll Up Doors)
Base Unit Price: \$ 348,158.00 (including Industrial Funding Fee)
Delivery: 300-330 Days ARO Chassis

RSHV258 KME Panther Custom Heavy Duty Walk Around Rescue

Chassis: KME Custom Tilt 4 Door (Predator)
Seating for 4, A/C, 10" Raised Roof, Hard Wired Electrical System
Premium Interior
Engine: Cummins ISX 500hp (Emission Standard Diesel Engine)
Transmission: EVS 4000, 5 speed Automatic
Body: Aluminum Walk Around Rescue Body (Hinged or Roll Up Doors)
Base Unit Price: \$ 337,975.00 (including Industrial Funding Fee)
Delivery: 300-330 Days ARO Chassis

RSCM 191 International 4400 Medium Duty Walk Around Rescue

Chassis: International 4400, 2 Door, 4x2
Engine: International Max Force, 330hp (Emission Standard Diesel Engine)
Transmission: 5 speed Automatic
Body: Aluminum Walk Around Rescue Body (Hinged or Roll Up Doors)
Base Unit Price: \$ 184,263.00 (including FET and Industrial Funding Fee)
Delivery: 220 Days ARO Chassis



Kovatch Mobile Equipment/KME Fire Apparatus

RSCMWI191	International 4400 Medium Walk In Rescue
Chassis:	International 4400, 2 Door, 4x2
Engine:	International Max Force, 330hp (Emission Standard Diesel Engine)
Transmission:	5 speed Automatic
Body:	Aluminum Walk In Rescue Body (Hinged or Roll Up Doors)
Base Unit Price:	\$ 202,892.00 (including FET and Industrial Funding Fee)
Delivery:	220 Days ARO Chassis



Kovatch Mobile Equipment/KME Fire Apparatus

ARFF

When your Airport needs a new apparatus, turn to KME Fire Apparatus. At KME our Aircraft Rescue and Fire Fighting units are custom-designed to meet your specifications. No hassles or fuss just experienced engineers and manufacturing professionals building apparatus for the way you fight fires.

KME Fire Apparatus leads the way with one of the most innovative designs in the industry. Each with KME's outstanding engineering, quality and serviceability. RIV units are available on Ford and International chassis. KME RIV bodies offer a full range of options including custom plumbing and custom compartmentation and are available in 3/16" aluminum. KME FORCE 1500 and FORCE 3000 gallon ARFF products are available in Glass Reinforced Polyester construction and feature light weight and superior maneuverability and performance.

Highlights

Superior Design



KME FORCE 1500 and FORCE 3000 offer an industry leading design for superior performance, maneuverability and visibility. The KME FORCE Series RIV line of products offers industry standard chassis options and flexible compartment layout. Ease of use is insured by simple and logical layout of all cab controls.

Testing



All KME Airport Products are tested to meet all applicable standards including FAA Advisory Circular 150-5220-10D and NFPA 414, 2007 edition. All testing is done at KME worldwide headquarters in Nesquehoning, Pennsylvania and include tilt table testing and off road test areas. Our customers are insured superior products backed by rigorous testing.

Flexibility



A wide variety of options are available including, Dry Chemical Systems, Winterization Packages, Elevated Waterways, FLIR Camera Systems, and Generator systems to name a few. KME also has the largest list of standard features of any manufacturer in the industry. Standard features for the FORCE 1500 and FORCE 3000 include; 4-wheel disc brakes, LED compartment lighting, structural firefighting panel and windshield deluge system.



Kovatch Mobile Equipment/KME Fire Apparatus

KAC1 **Ford Class 1 RIV 4 X 4**
Chassis: Ford F550, 2 Door, 4x4
Engine: 6.4L V8 Power Stroke Diesel
Transmission: 5 speed Automatic
Pump: Stored Air CAFS
Water Tank: 150 gallons AFFF Pre-mix, 500 lb Dry Chemical
Body: Aluminum Skid Body
Base Unit Price: \$185,044.00 (including Industrial Funding Fee)
Delivery: 180 Days ARO Chassis

KAC2 **Ford Class 2 RIV 4 X 4**
Chassis: Ford F550, 2 Door, 4x4
Engine: 6.4L V8 Power Stroke Diesel
Transmission: 5 speed Automatic
Pump: 500gpm Engine Driven Pump
Water Tank: 400 Gallons water, 50 Gallons Foam, Poly
Body: Aluminum RIV Rescue Body with Rollup doors
Other: LED Lighting, Various Options
Base Unit Price: \$173,798.00 (including Industrial Funding Fee)
Delivery: 180 Days ARO Chassis

KAC2-UHP **Ford Class 2 RIV UHP 4 X 4**
Chassis: Ford F550, 2 door, 4x4
Engine: 6.4L V8 Power Stroke Diesel (2009 Emission Standard Diesel Engine)
Transmission: 5 speed Automatic
Pump: UHP Engine Driven Pump
Water Tank: 400 Gallons water, 50 Gallons Foam, Poly
Body: Aluminum RIV Rescue Body with Rollup doors
Other: LED Lighting, Various Options
Base Unit Price: \$147,000.00 (including Industrial Funding Fee)
Delivery: 180 Days ARO Chassis

KAC3 **International Class 3 RIV 4 X 4**
Chassis: International 7400 2 door, 4 X 4
Engine: International 330 HP
Transmission: EVS 3000 Automatic
Pump: 500gpm PTO Pump
Water Tank: 500 Gallons water, 60 gallons foam, Poly
Body: Aluminum RIV Rescue Body Rollup Doors
Other: LED Lighting, Various Options
Base Unit Price: \$284,518.00 (including Industrial Funding Fee)
Delivery: 180 Days ARO Chassis



Kovatch Mobile Equipment/KME Fire Apparatus

KP1500	KME 1500 Gallon Class 4 ARFF 4X4
Chassis:	KME FORCE-1500 ARFF
Engine:	Caterpillar C-18 630 HP
Transmission:	6 speed Automatic
Pump:	2000 GPM Single Stage Pump
Water Tank:	1500 gallons water, 200 gallons foam integrated in body
Body:	Glass Reinforced Polyester (GRP)
Other:	LED Lighting, Various Options
Base Unit Price:	\$551,137.00 (including Industrial Funding Fee)
Delivery:	360 days ARO

KP3000	KME 3000 Gallon Class 5 ARFF 6 X 6
Chassis:	KME FORCE-3000 ARFF
Engine:	Caterpillar C-18 700 HP
Transmission:	6 speed Automatic
Pump:	2000 GPM Single Stage
Water Tank:	3000 gallons water, 400 gallons foam
Body:	Glass Reinforced Polyester (GRP)
Other:	LED Lighting, Various Options
Base Unit Price:	\$581,470.00 (including Industrial Funding Fee)
Delivery:	360 days ARO

Contact KME for a full set of specifications, drawings and complete option list