



Webb Designs, Inc

July 2008

General Services Administration

Federal Supply Service

Authorized Federal Supply Schedule Price List & Catalog

On-line access to contract ordering information, terms and conditions, up-to-date pricing, and the option to create an electronic delivery order are available through GSA Advantage!(tm), a menu-driven database system. The INTERNET address for GSA Advantage!(tm) is <http://www.fss.gsa.gov>

Worldwide Federal Supply Schedule Contract, FSC Group 72, Part I, Furnishings

FSC Class: 7230

Contract Number: **GS-03F-5115C**

Contract Period: July 1, 2009 through June 30, 2014

Contractor: Webb Designs, Inc.
PO Box 1405
El Cajon, CA 92020

(619)596-6400 or (800) 262-9322
FAX (619) 596-4511

Business size: Small

CUSTOMER INFORMATION

1a & 1b. Awarded Items:	Page	Lowest Unit \$
722-2 Level-Lok Window Shades	5 - 11	\$137.31
722-2 WebbGlide/Clutch Window Shade	12 - 18	\$ 74.82
722-2 Security Box & Hardware for Shades	19	\$ 76.75
722-8 Measure & Installation Service	20	\$ 25.50

2. Maximum Order: \$500,000

3. Minimum Order: \$500

4. Geographic coverage: International

5. Point of production: El Cajon, San Diego County, California

6. Discount from List Prices: Less 55.25% on SIN 722-2
 Less 15.25% on SIN 722-8

7. Quantity Discounts: On SIN 722-2 ONLY: less 2% on 20+ shades
 or less 3% on 70+ shades
 or less 4% on 150+ shades

8. Prompt payment terms: 1% 20 days

9a & 9b. Government purchase cards are accepted below and above the micropurchase threshold.

10. Foreign items: None

11a. Time of Delivery: 75 days

11b. Expedited Delivery 30 days

11c. Overnight and 2-Day delivery are available, contact contractor for rates

11d. Urgent requirements: Contact contractor for urgent delivery requirements

12. F.O.B. : Destination

13a. Ordering address: Webb Designs, Inc.
 PO Box 1405
 El Cajon CA 92022-1405

13b. Ordering Procedures: For supplies and services, the ordering procedures, information on Blanket Purchase Agreements (BPAs), and a sample BPA can be found at the GSA/FSS Schedule homepage (fss.gsa.gov/schedules).

14. Payment address: Same

15. Warranty provision: 3 years for materials and workmanship of shade, 10 years for hardware.

16. Export Packing Charges: Extra, contact contractor

17. Terms and conditions of government purchase card acceptance: No thresholds

18. Terms & conditions of repair: Webb reserves the right to repair or replace defective items

19. Terms & conditions of installation: Webb warrants installation furnished by Webb for a period of 1 year.

20a. Terms & conditions of Repair Parts: N/A

20b. Terms & conditions of other services: N/A

21. List of service and distribution points: N/A

22. List of Participating Dealers: N/A

23. Preventive Maintenance: N/A

24a. Environmental Attributes: Uses recycled materials

24b. Section 508 Compliant: N/A

25. DUNS Number: 17-510-5121

26. Contractor is registered in CCR database

WEBB Shade

Webb Designs, Inc
Commercial Price List
July 2008



Cordless Window Shade Systems

Level-Lok
WebbGlide
Solar Screen Shades
Blackout Shades
Motorized Shades

WebbShade - Retail Price List

July 2008

Window Shade Systems

Level-Lok - Unique cordless window shade designed specifically for institutional settings where high user abuse is likely to occur, such as psychiatric facilities, developmental centers, alzheimers wards, drug & alcohol rehab centers, at-risk youth residential centers, etc. This shade is built tough to withstand the worst abuse and remain safe and operable. Passes all JCAHO requirements for psychiatric areas with user-friendly easy operation.

WebbGlide - This shade offers even easier cordless fingertip control, with the added benefit of privacy tracks. Adapted as a lower cost version of our Level-Lok system, the WebbGlide is a durable and attractive alternative for offices, hospital patient rooms, schools, dormitories, retirement homes, and military housing. Tall windows can be motorized or operated with clutch and cords.

Clutch Operation - Makes even the tallest window shades easy to operate and the chain-driven Rollease Clutch system is a heavy-duty mechanism built to last in commercial environments.

Motorized - Webb offers both hard-wired motors and battery-powered motors, along with all control options.

Fabric Choices - All Flame Retardant for Commercial Use

Vinyl Shade Fabric - Webb's collection includes both blackout and light filtering patterns offering 100% privacy. Some of these can be printed or silkscreened to blend with your interiors or to display your logo. Large color assortment

Sunscreen Mesh - Choose from Alkenz Sun Shadow, Vertilux or Phifer Sheerweave, in various weights and light filtering percentages, large color assortment including tweeds.

Cloth Shade Fabric - Decorative fabrics to add a warm atmosphere to residential living facilities.

All Webb products are manufactured in the USA.

LEVEL-LOK Window Shades

Indestructible Window Coverings for All Environments

Cordless

Fingertip Operation

Maintenance-Free



Psychiatric / Mental Health

Developmentally Disabled

Substance Abuse

Pediatric Healthcare

Alzheimer's Care Facilities

Room Darkening or Solar Screens

*Photos/Logos/Patterns/Colors
Custom Printed on Shades*

*All fabrics are Flame Retardant
to meet NFPA 701*

WEBB

WEBB DESIGNS, INC

PO Box 1405 El Cajon, CA 92022

www.webbshade.com

800-262-9322

July 2008

LEVEL 1 FABRICS - Unprinted White Reinforced Vinyl 18 oz

WIDTH IN INCHES:	36	42	48	54	60	66	72
42	323	339	355	371	387	403	419
48	328	344	361	377	393	410	426
54	332	349	366	383	399	416	433
60	337	354	371	388	406	423	440
66	342	359	377	394	412	429	447
72	346	364	382	400	418	436	454
84	355	374	393	412	430	449	468
96	365	384	404	423	443	462	482

Price Includes: Complete shade and Level-Lok System ready to install with 8" valance and returns as needed.

Minimum Order: 10 shades

Minimum Size: 16" in width. Shades under 24" may have a length limitation for proper operation.

Flame retardant to meet: NFPA 701, NFPA Class A, UBC Class 1

Guide Tracks: Clear or Bronze Aluminum

Installation: Some installations may require add-on mullions or wall mount track systems - Contact factory for pricing

July 2008

LEVEL 2 FABRICS - Blackout fabrics

WIDTH IN INCHES:	36	42	48	54	60	66	72
42	336	354	372	390	408	426	444
48	342	360	379	398	416	435	453
54	347	367	386	405	424	444	463
60	353	373	393	413	432	452	472
66	359	379	400	420	440	461	481
72	365	386	407	428	449	469	490
84	376	398	420	442	465	487	509
96	387	411	434	457	481	504	527

Price Includes: Complete shade and Level-Lok System ready to install with 8" valance and returns as needed.

Minimum Order: 10 shades

Minimum Size: 16" in width. Shades under 24" may have a length limitation for proper operation.

Flame retardant to meet: NFPA 701, NFPA Class A, UBC Class 1

Guide Tracks: Clear or Bronze Aluminum

Installation: Some installations may require add-on mullions or wall mount track systems - Contact factory for pricing

Level-Lok System - Retail Price

SIN 722-2

Level-Lok
Level 4 Fabrics

July 2008

LEVEL 4 FABRICS - SunShadow Solar Screen, Noche

WIDTH IN INCHES:	36	42	48	54	60	66	72
42	378	404	429	454	479	504	529
48	388	414	441	467	493	520	546
54	397	425	453	480	508	535	563
60	407	436	465	493	522	551	580
66	416	446	476	506	536	566	596
72	426	457	488	520	551	582	613
84	445	479	512	546	580	613	647
96	464	500	536	572	609	645	681

Price Includes: Complete shade and Level-Lok System ready to install with 8" valance and returns as needed.

Minimum Order: 10 shades

Minimum Size: 16" in width. Shades under 24" may have a length limitation for proper operation.

Flame retardant to meet: NFPA 701, NFPA Class A, UBC Class 1

Guide Tracks: Clear or Bronze Aluminum

Installation: Some installations may require add-on mullions or wall mount track systems - Contact factory for pricing

Level-Lok System - Retail Price

SIN 722-2

Level-Lok
Level 6 Fabrics

July 2008

LEVEL 6 FABRICS - SheerWeave, Rollux Solar Screen

WIDTH IN INCHES:	36	42	48	54	60	66	72
42	434	469	503	537	572	606	641
48	449	485	522	558	595	631	668
54	463	502	540	579	617	656	694
60	478	518	559	600	640	681	721
66	492	535	578	620	663	706	748
72	507	552	596	641	686	730	775
84	536	585	633	682	731	780	829
96	565	618	671	724	777	830	882

Price Includes: Complete shade and Level-Lok System ready to install with 8" valance and returns as needed.

Minimum Order: 10 shades

Minimum Size: 16" in width. Shades under 24" may have a length limitation for proper operation.

Flame retardant to meet: NFPA 701, NFPA Class A, UBC Class 1

Guide Tracks: Clear or Bronze Aluminum

Installation: Some installations may require add-on mullions or wall mount track systems - Contact factory for pricing

Level-Lok System - Retail Price

SIN 722-2

Level-Lok
Level 7 Fabrics

July 2008

LEVEL 7 FABRICS - Printed Reinforced Vinyl 18 oz.

WIDTH IN INCHES:	36	42	48	54	60	66	72
42	475	516	558	599	640	681	723
48	493	537	581	625	669	713	757
54	512	558	605	651	698	744	791
60	530	579	628	677	727	776	825
66	548	600	652	704	756	807	859
72	566	621	675	730	784	839	894
84	602	662	722	782	842	902	962
96	639	704	769	835	900	965	1030

Price Includes: Complete shade and Level-Lok System ready to install with 8" valance and returns as needed.

Minimum Order: 10 shades

Minimum Size: 16" in width. Shades under 24" may have a length limitation for proper operation.

Flame retardant to meet: NFPA 701, NFPA Class A, UBC Class 1

Guide Tracks: Clear or Bronze Aluminum

Installation: Some installations may require add-on mullions or wall mount track systems - Contact factory for pricing

Level-Lok System - Retail Price

SIN 722-2

Level-Lok
Level 8 Fabrics

July 2008

LEVEL 8 FABRICS - Sunshadow, Sheerweave, Rollux Solar Screen - Printed

WIDTH IN INCHES:	36	42	48	54	60	66	72	
	42	520	569	617	666	715	763	812
H E I G H T	48	542	594	646	698	750	802	854
I N	54	564	620	675	730	786	841	896
I N C H E S	60	586	645	704	762	821	880	939
	66	609	671	733	795	857	919	981
	72	631	696	761	827	892	958	1023
	84	675	747	819	891	963	1035	1107
	96	720	798	877	956	1034	1113	1192

Price Includes: Complete shade and Level-Lok System ready to install with 8" valance and returns as needed.

Minimum Order: 10 shades

Minimum Size: 16" in width. Shades under 24" may have a length limitation for proper operation.

Flame retardant to meet: NFPA 701, NFPA Class A, UBC Class 1

Guide Tracks: Clear or Bronze Aluminum

Installation: Some installations may require add-on mullions or wall mount track systems - Contact factory for pricing

WEBBGLIDE^{*} Window Shades

* U.S. Patent Pending

THE Solution for Commercial Window Coverings

Cordless

Fingertip or Motorized Operation

Maintenance-Free



Healthcare

Residential Living

Universities & Schools

Corporate & Public Facilities

Room Darkening or Solar Screens

*Photos/Logos/Patterns/Colors
Custom Printed on Shades*

*All fabrics are Flame Retardant
to meet NFPA 701*



WEBB DESIGNS, INC

PO Box 1405 El Cajon, CA 92022

www.webbshade.com

800-262-9322

July 2008

LEVEL 1 FABRICS - Unprinted White Reinforced Vinyl 18 oz

WIDTH IN INCHES:	30	36	42	48	54	60	72	84	96
36	176	191	206	222	237	252	282	312	343
42	183	199	214	230	245	261	292	323	354
48	190	206	222	238	254	270	302	333	365
54	197	213	230	246	262	279	311	344	377
60	204	221	237	254	271	288	321	355	388
66	211	228	245	262	279	296	331	365	399
72	218	235	253	270	288	305	340	376	411
78	225	243	260	278	296	314	350	386	422
84	231	250	268	287	305	323	360	397	433
90	238	257	276	295	313	332	370	407	445
96	245	264	284	303	322	341	379	418	456
108	259	279	299	319	339	359	399	439	479
120	273	294	314	335	356	377	418	460	501

Price Includes: Complete shade and WebbGlide or Clutch System ready to install with 8" valance and returns as needed.

Minimum Order: 10 shades

Minimum Size: 22" in width. Shades under 30" may have a length limitation for proper operation.

Flame retardant to meet: NFPA 701, NFPA Class A, UBC Class 1

Fabric Width: Fabrics vary from 72" to 96" in width. Valances may be railroaded. When shades are wider than fabric width, shades will be railroaded and may have visible welds (seams) running horizontally.

Valance Options: 8" Self Valance; 3" Molded ABS Valance in Almond or Bronze, or Rollease aluminum fascia (additional cost)

Privacy Tracks: Almond, Gray, Bronze

Installation: Some installations may require add-on mullions or wall mount track systems - Contact factory for pricing

July 2008

LEVEL 2 FABRICS - Blackout fabrics

WIDTH IN INCHES:	30	36	42	48	54	60	72	84	96
36	184	200	217	233	250	266	299	332	365
42	192	209	226	243	260	277	311	345	379
48	200	218	235	253	270	288	323	359	394
54	208	226	244	263	281	299	336	372	408
60	216	235	254	272	291	310	348	385	423
66	224	243	263	282	302	321	360	399	437
72	232	252	272	292	312	332	372	412	452
78	240	261	281	302	322	343	384	425	466
84	248	269	290	312	333	354	396	439	481
90	256	278	300	321	343	365	408	452	495
96	264	286	309	331	353	376	421	465	510
108	280	304	327	351	374	398	445	492	539
120	296	321	346	370	395	420	469	519	568

Price Includes: Complete shade and WebbGlide or Clutch System ready to install with 8" valance and returns as needed.

Minimum Order: 10 shades

Minimum Size: 22" in width. Shades under 30" may have a length limitation for proper operation.

Flame retardant to meet: NFPA 701,NFPA Class A, UBC Class 1

Fabric Width: Fabrics vary from 72" to 96" in width. Valances may be railroaded. When shades are wider than fabric width, shades will be railroaded and may have visible welds (seams) running horizontally.

Valance Options: 8" Self Valance; 3" Molded ABS Valance in Almond or Bronze, or Rollease aluminum fascia (additional cost)

Privacy Tracks: Almond, Gray, Bronze

Installation: Some installations may require add-on mullions or wall mount track systems - Contact factory for pricing

July 2008

LEVEL 4 FABRICS - SunShadow Solar Screen, Noche

WIDTH IN INCHES:	30	36	42	48	54	60	72	84	96
36	210	231	251	272	293	314	356	398	440
42	221	244	266	288	310	332	376	421	465
H E I G H T	48	233	256	280	303	327	350	397	443
	54	245	269	294	319	343	368	417	466
	60	257	282	308	334	360	386	437	489
I N C H E S	66	268	295	322	349	376	403	457	511
	72	280	308	336	365	393	421	478	534
	78	292	321	351	380	410	439	498	557
	84	303	334	365	395	426	457	518	580
	90	315	347	379	411	443	475	538	602
	96	327	360	393	426	459	492	559	625
	108	350	386	421	457	493	528	599	670
	120	374	412	450	488	526	564	640	716

Price Includes: Complete shade and WebbGlide or Clutch System ready to install with 8" valance and returns as needed.

Minimum Order: 10 shades

Minimum Size: 22" in width. Shades under 30" may have a length limitation for proper operation.

Flame retardant to meet: NFPA 701,NFPA Class A, UBC Class 1

Fabric Width: Fabrics vary from 72" to 96" in width. Valances may be railroaded. When shades are wider than fabric width, shades will be railroaded and may have visible welds (seams) running horizontally.

Valance Options: 8" Self Valance; 3" Molded ABS Valance in Almond or Bronze, or Rollease aluminum fascia (additional cost)

Privacy Tracks: Almond, Gray, Bronze

Installation: Some installations may require add-on mullions or wall mount track systems - Contact factory for pricing

July 2008

LEVEL 6 FABRICS - Sheerweave, Rollux Solar Screen, Silkdrops. Tahiti

WIDTH IN INCHES:	30	36	42	48	54	60	72	84	96
36	244	270	297	324	351	377	431	484	538
42	260	289	318	347	375	404	462	519	577
48	277	308	339	369	400	431	493	554	616
H E I G H T									
54	293	326	359	392	425	458	524	590	655
60	310	345	380	415	450	485	555	625	695
66	327	364	401	438	475	512	586	660	734
I N I N C H E S									
72	343	382	421	460	499	539	617	695	773
78	360	401	442	483	524	565	648	730	812
84	376	420	463	506	549	592	679	765	851
90	393	438	483	529	574	619	710	800	891
96	409	457	504	551	599	646	741	835	930
108	443	494	545	597	648	700	802	905	1008
120	476	531	587	642	698	753	864	975	1086

Price Includes: Complete shade and WebbGlide or Clutch System ready to install with 8" valance and returns as needed.

Minimum Order: 10 shades

Minimum Size: 22" in width. Shades under 30" may have a length limitation for proper operation.

Flame retardant to meet: NFPA 701,NFPA Class A, UBC Class 1

Fabric Width: Fabrics vary from 72" to 96" in width. Valances may be railroaded. When shades are wider than fabric width, shades will be railroaded and may have visible welds (seams) running horizontally.

Valance Options: 8" Self Valance; 3" Molded ABS Valance in Almond or Bronze, or Rollease aluminum fascia (additional cost)

Privacy Tracks: Almond, Gray, Bronze

Installation: Some installations may require add-on mullions or wall mount track systems - Contact factory for pricing

July 2008

LEVEL 7 FABRICS - Printed Reinforced Vinyl 18 Oz.

WIDTH IN INCHES:	30	36	42	48	54	60	72	84	96	
36	269	300	331	362	393	424	486	548	610	
42	289	322	356	390	424	457	525	592	659	
48	309	345	382	418	454	491	563	636	709	
H E I G H T	54	329	368	407	446	485	524	602	680	758
	60	349	391	433	474	516	558	641	724	808
	66	369	414	458	502	547	591	680	769	857
I N C H E S	72	390	437	484	531	578	625	719	813	907
	78	410	459	509	559	608	658	757	857	956
	84	430	482	535	587	639	692	796	901	1006
90	450	505	560	615	670	725	835	945	1055	
96	470	528	585	643	701	758	874	989	1105	
108	510	573	636	699	762	825	951	1078	1204	
120	551	619	687	756	824	892	1029	1166	1302	

Price Includes: Complete shade and WebbGlide or Clutch System ready to install with 8" valance and returns as needed.

Minimum Order: 10 shades

Minimum Size: 22" in width. Shades under 30" may have a length limitation for proper operation.

Flame retardant to meet: NFPA 701,NFPA Class A, UBC Class 1

Fabric Width: Fabrics vary from 72" to 96" in width. Valances may be railroaded. When shades are wider than fabric width, shades will be railroaded and may have visible welds (seams) running horizontally.

Valance Options: 8" Self Valance; 3" Molded ABS Valance in Almond or Bronze, or Rollease aluminum fascia (additional cost)

Privacy Tracks: Almond, Gray, Bronze

Installation: Some installations may require add-on mullions or wall mount track systems - Contact factory for pricing

July 2008

LEVEL 8 FABRICS - Sundshadow, Sheerweave, Rollux Solar Screens - Printed

WIDTH IN INCHES:	30	36	42	48	54	60	72	84	96	
36	296	332	367	403	439	474	546	617	688	
42	320	359	398	437	476	515	593	671	749	
48	344	386	429	471	513	556	640	725	810	
H E I G H T I N I N C H E S	54	368	414	459	505	551	596	688	779	870
	60	392	441	490	539	588	637	735	833	931
	66	416	468	521	573	625	678	782	887	992
	72	440	496	551	607	663	718	830	941	1053
	78	464	523	582	641	700	759	877	995	1113
	84	488	550	613	675	738	800	925	1049	1174
	90	512	578	644	709	775	841	972	1103	1235
	96	536	605	674	743	812	881	1019	1157	1295
	108	584	660	736	811	887	963	1114	1265	1417
	120	632	715	797	879	962	1044	1209	1373	1538

Price Includes: Complete shade and WebbGlide or Clutch System ready to install with 8" valance and returns as needed.

Minimum Order: 10 shades

Minimum Size: 22" in width. Shades under 30" may have a length limitation for proper operation.

Flame retardant to meet: NFPA 701,NFPA Class A, UBC Class 1

Fabric Width: Fabrics vary from 72" to 96" in width. Valances may be railroaded. When shades are wider than fabric width, shades will be railroaded and may have visible welds (seams) running horizontally.

Valance Options: 8" Self Valance; 3" Molded ABS Valance in Almond or Bronze, or Rollease aluminum fascia (additional cost)

Privacy Tracks: Almond, Gray, Bronze

Installation: Some installations may require add-on mullions or wall mount track systems - Contact factory for pricing

July 2008

Security Boxes

Security Boxes are available up to 60". For windows wider than 60" contact Webb technical support for information, solutions, and pricing. Includes powdercoated finish in white, off-white, beige, or bronze. Custom colors available for upcharge.

Regular security boxes **\$170.00 each**

Security boxes with backs..... **\$210.00 each**

Mullions/Special Mounting Hardware

"L" Mullion \$20.00 per lineal foot (usually 2 per shade)

"H" Mullion \$20.00 per lineal foot (usually 1 between 2 shades)

Floating Mullion \$20.00 per lineal foot (usually 1 between 2 shades)

Privacy Angle \$20.00 per lineal foot (always 2 per shade)

Flange track \$20.00 per lineal foot (usually 2 per shade)

Installation Service - Wholesale Prices

July 2008

SIN 722-8
GSA Discount 15.25%

Base Installation Prices

Include standard installation into wood or aluminum framing.
See surcharge list below for special mounts, add-on mullions, and trip charges.

Level-Lok Window Shade System	\$45.00 per shade
Security Box add	\$15.00 per shade
WebbGlide Window Shade System	\$35.00 per shade
Clutch System Shades (no track)	\$30.00 per shade
Motorized Shades	Cost varies per job

Plus applicable trip charges and miscellaneous surcharges (see below):

Surcharges:

Trip charge for measure	
Nearest Available Installer.....	\$100 - \$150
Factory Installer.....	Round trip airfare plus \$250
Trip charge for installation	
Nearest Available Installer.....	\$100 - \$150
Factory Installer.....	Round trip airfare
Overnight charges (estimate 25 shades per day) ..	\$250 per day
Concrete/ plaster or thick steel frame	\$7.00 per shade
Removal of existing treatments.....	\$8.00 per item
(Note: removal does not include disposing of old treatments)	
Rental of specialized equipment such as scaffolding or lifts will be quoted on an individual, as-needed basis	

WEBB DESIGNS, INC.

BUSINESS

Webb has designed and manufactured cordless window shades for the healthcare, government, and commercial markets for over 25 years. Our products are proven to last through many years of daily use and multiple cleanings, while still offering maintenance-free operation. We are proud to offer superior products at an affordable price. We have trained installers throughout the USA, and your factory-direct customer representative is as close as your telephone.

*Webb Designs, Inc
PO Box 1405
El Cajon, California 92022*

(800)262-9322

www.webbshade.com

WEBB DESIGNS, INC.

CUSTOMER COMMENTS

Bob Randall
Director of Support Services
Montevista Hospital
Las Vegas, Nevada

"These are made like iron. They're not cheap, but you get what you pay for. It's the only window covering that will work in a Psych facility."

Bob Howe
Director Facility Operations
Colquitt Medical Center
Moultrie, Georgia

"The (Webb) blinds are far superior to any product of its kind on the market today. By installing these, we have insured a reduction in our maintenance and cleaning time."

Jeff Siebels
Environmental Services Director
Perham Memorial Hospital & Home
Perham, Minnesota

"Zero maintenance. We don't have to take them down to clean them. We vacuum them right in place. Nothing breaks. WEBB is so much better than our verticals, which were always broken."

Jim Parr
Maintenance Supervisor
Emira Psychiatric Center
Elmira, New York

"We did 7 patient buildings ... the whole facility. Great products. Easy to maintain. Customer service is fantastic"

Mary Fine
Nurse Manager
Ozark Medical Center
West Plains, Missouri

"We did the whole unit. We really love the color and the safety. They really lighten up the rooms and they're easy to use with just one hand."

Kathy Gonzales
Behavior Health
Dominican Hospital
Santa Cruz, California

"We have not had any problems with our blinds since installation. I wish all products worked as well as yours."

Jan Stubson
Interior Designer
VA Medical Center
Sioux Falls, South Dakota

"The window treatments have been installed more than 12 years and they still look great today!"

David Newlon
Facilities Supervisor
Desert Regional Center
Las Vegas, Nevada

"Excellent service. Webb stands behind their warranty without question."

Barbara Behrens
Environmental Services
Kino Community Hospital
Tucson, Arizona

"These have been the most durable, trouble-free window coverings I have ever encountered. (Webb products) have held up better than anything we have had."

WEBB DESIGNS, INC.

Designer Theme Photo Shades



Set the mood with your high resolution photo choice
Patient Rooms - Waiting Areas - Offices - Dorms

WEBBGLIDE*

VERTILUX 314 Solar Screen Ebony Orange



* U.S. Patent Pending

WEBBGLIDE*

WINDOW TREATMENT SOLUTIONS

CORDLESS WINDOW SHADE SYSTEMS

The new WebbGlide shade system offers cordless fingertip control with the added benefit of privacy tracks. Adapted as a lower cost version of our Level-Lok system, the WebbGlide is a durable and attractive alternative for offices, hospital patient rooms, schools, dormitories, retirement homes, military housing, and any other environment needing trouble-free window treatments. Large windows can be motorized or operated with a clutch system.*

MOTORIZED

Webb is expert in planning and installing motorized shade installations throughout the USA. Our motorized shades utilize our privacy track offering increased security, durability and glare reduction. New battery-powered motors with remote control are now available and require no wiring.

DUAL SHADES

Webb will mount both a blackout shade and a solar screen shade in the same window to optimize light control for every situation.

FABRIC CHOICES - ALL FLAME RETARDANT FOR COMMERCIAL USE

VINYL SHADE FABRIC

Webb's collection includes both blackout and light filtering patterns offering 100% privacy. We offer in-house custom printed patterns, logos, or photos on your shades.

SUNSCREEN MESH

Choose from Vertilux Sunscreen or Phifer Sheerweave in various weights and light filtering percentages, large color assortment, and can also be printed to your specifications.

WOVEN SHADE FABRIC

Decorative fabric textures add a warm, elegant atmosphere to residential living facilities, libraries, schools.

All Webb products 100% made in the USA

WEBBGLIDE

PRODUCT WARRANTY

WEBBGLIDE SHADE SYSTEM

3 Year Warranty

The WebbGlide operating hardware is warranted against defects in material and workmanship for 3 years from the date of installation. This warranty covers the shade in normal commercial use and does not cover damage caused by improper operation, forced operation, or willful abuse. Shades must be returned to factory or authorized agency freight prepaid for inspection. Repair or replacement will be made at Webb's discretion.*

SHADE FABRICS

3 Year Warranty

Fabrics used on the Webb shade systems are all warranted against defects in materials and workmanship for 3 years from the date of installation. This covers the shade in normal commercial use and does not cover damage caused by improper cleaning, or willful abuse such as slashing, cutting, excessive heat, etc. Shades must be returned to factory or authorized agency freight prepaid for inspection. Repair or replacement will be made at Webb's discretion.

WEBBGLIDE

OPERATING SYSTEM SPECIFICATIONS

ROLLER

Lift tube shall be 1 3/4" diameter aluminum 6063 alloy for strength and corrosion resistance with slot for shade material retention using Webb shade guide slats.

SHADE MATERIAL

Shall be standard vinyl coated material or woven coated material of suitable strength and resilience to roll without wrinkling. Material shall be flame retardant to NFPA 701 small scale test or to other applicable rating.

BOTTOM RAIL

Shall be extruded rigid vinyl and have size and shape to allow shade material attachment using Webbshade guide slats for security and ease of replacement. Rail shall also allow insertion of shade weight and stiffening bar for durability. Bottom rail weight shall be galvanized for corrosion resistance.

GUIDE TIPS

Shall be injection molded of suitable thermoplastic for strength and durability and shall be connected to the bottom rail with aluminum rivets and tensioned by means of a stainless steel compression spring of proper strength.

VALANCE

Shall be extruded rigid vinyl with fabric slots for holding of material strip to match or complement shade material. It shall be attached to brackets by means of hook and loop fastener strips.

BRACKETS

Shall be 18 gauge or greater galvanized steel and shall be able to retain roller, even while subjected to considerable lifting forces.

GUIDE TRACKS

Shall be extruded from thermoplastic resin containing U.V inhibitors and shall have an extended lip on the inside edge to maintain privacy and reduce sunlight transmittance. Tracks shall be attached using double coated foam adhesive (PSA) tape.

LEVEL-LOK

Custom Printed Reinforced Vinyl



LEVEL-LOK

WINDOW TREATMENT SOLUTIONS

CORDLESS WINDOW SHADE SYSTEM

VIRTUALLY INDESTRUCTIBLE

Virtually indestructible, these unique window shades are designed specifically for psychiatric facilities and institutional settings where high user abuse is likely to occur, such as developmental centers, alzheimers wards, drug and alcohol rehab centers, and at-risk youth residential centers.

SAFE FOR PSYCH

EASY OPERATION

This shade is built tough to withstand the worst abuse and remain safe and operable for years. Many Webb Level-Lok shades are still in use after 20+ years. Meets all JCAHO requirements for psychiatric areas with user-friendly operation.

FABRIC CHOICES - All are flame retardant for commercial use

VINYL SHADE FABRIC

Webb's collection includes both blackout and light filtering patterns offering 100% privacy. We offer in-house custom printed patterns, logos, or photos on your shades.

SUNSCREEN MESH

Choose from Vertilux Sunscreen or Phifer Sheerweave in various weights and light filtering percentages, large color assortment, and can also be printed to your specifications.

WOVEN SHADE FABRIC

Decorative woven fabric textures add a warm, elegant atmosphere to residential living facilities, libraries, schools.

All Webb products 100% made in the USA

LEVEL-LOK

PRODUCT WARRANTY

LEVEL-LOK SYSTEM

10 Year Warranty

Practically indestructible, the Level-Lok system operating hardware (spring roller, side tracks, and all metal and plastic components within the bottom rail trigger release mechanism) is warranted for ten (10) years against breakage. Any broken or defective parts returned to the factory freight prepaid will be replaced and returned to the customer at no charge. This hardware warranty is valid for ten years, even if the shade material has been replaced on the system, as long as the replacement was done using Webb material under our supervision or guidance.

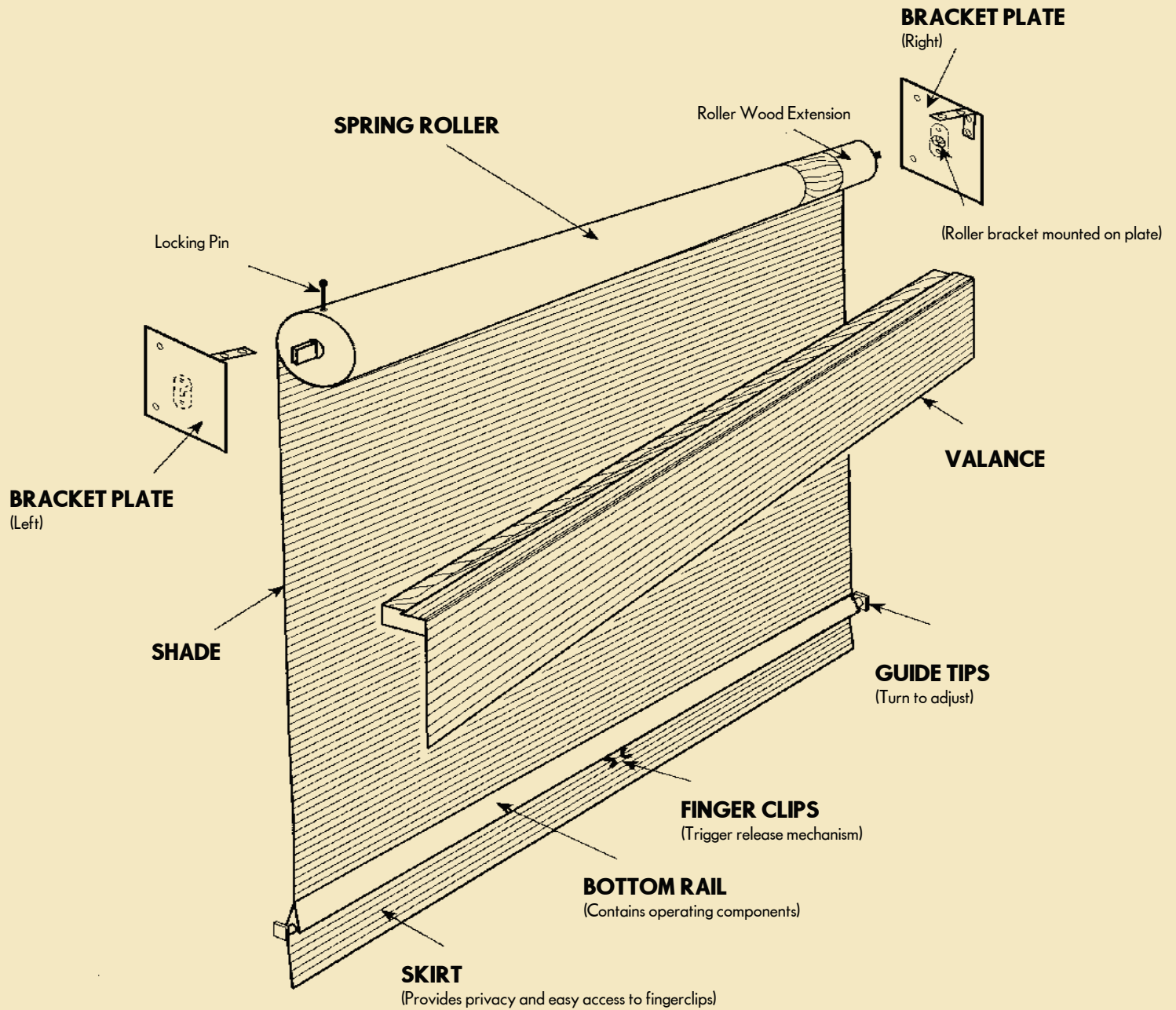
SHADE FABRICS

3 Year Warranty

Fabrics used on the Webb shade systems are all warranted against defects in materials and workmanship for 3 years from date of installation. This warranty covers the shade in normal commercial use and does not cover damage caused by improper cleaning, or willful abuse such as slashing, cutting, excessive heat, etc. Shades must be returned to factory or authorized agency freight prepaid for inspection. Repair or replacement will be made at Webb's discretion.

LEVEL-LOK

LEVEL-LOK OPERATING SYSTEM



LEVEL-LOK

OPERATING SYSTEM SPECIFICATIONS

OPERATING SYSTEM

An automatic leveling system designed for commercial installation that provides easy, durable operation. The shade moves upward by means of a spring loaded mechanism in the top mounted metal roller. A trigger release mechanism contained in housing at the bottom of the shade operates nylon guides that ride in vertical aluminum side tracks. The guides lock the shade at predetermined elevations and provide consistent alignment. The nylon guides slip past the punched-out stops in the track for ease of downward operation. Standard shade includes roller, trigger release mechanism, guide tips, side tracks, and 5"-8" valance to cover hardware.

ROLLER

Shall be heavy-duty, single notch metal roller of adequate size and strength to provide satisfactory lift for each particular size and weight of material. Roller shall be adjustable to plus or minus 1 1/2" of window width.

BRACKETS

Shall be stamped 18 gauge or thicker galvanized sheet metal and of sufficient strength to contain maximum tension of roller. Stamping configuration and size of bracket to be determined to provide adequate clearance from glass and header.

VERTICAL GUIDE TRACKS

Shall be extruded aluminum alloy 6063-T5 and shall be clear mill track finish or bronze anodized finish to blend with existing window mullions. Stops shall be punched out of back of track at a downward angle so as to eliminate engagement with nylon guide tips moving in a downward direction. All track shall be identical. Track shall have screw at top, bottom and center and may have adhesive backing. Dimension of track shall be 1/2" deep and 3/4" wide.

NYLON GUIDE TIPS

Shall be injection molded of reinforced nylon for self lubrication and resistance to breakage. They shall be secured to each end of bottom housing and provide lateral resiliency for proper alignment and engagement of stops.

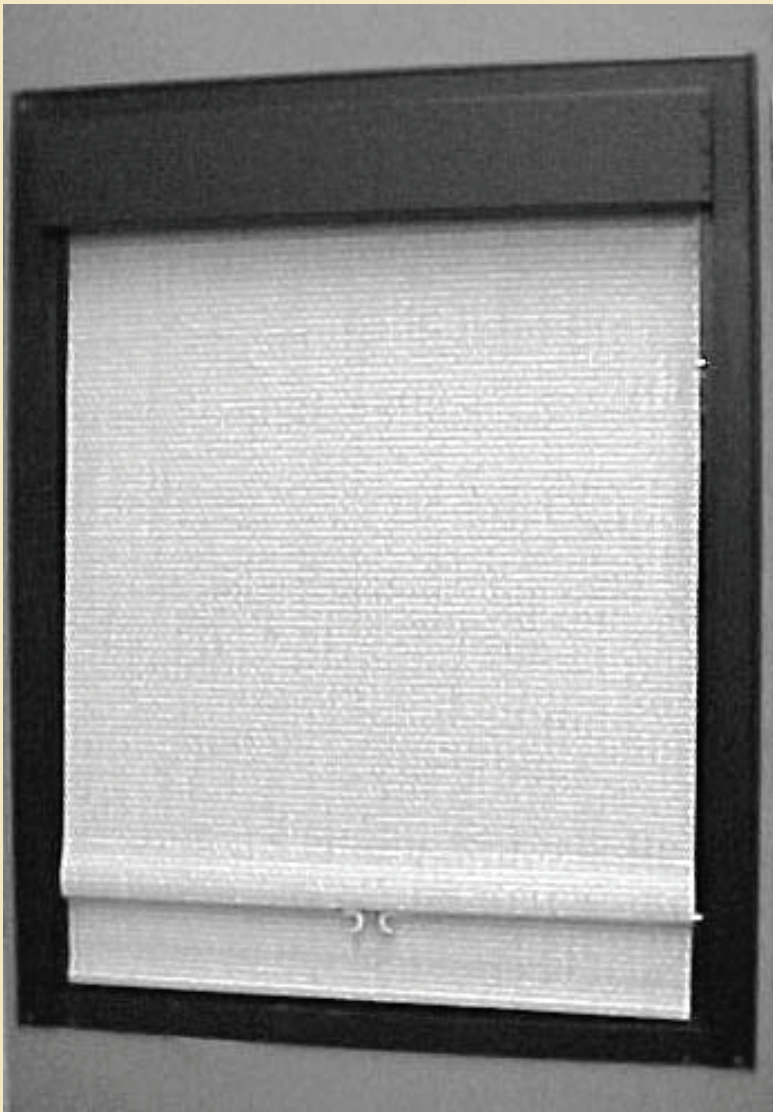
TRIGGER RELEASE

Shall be secured to the center of bottom housing and finger-clips shall attach to guide tips with threaded rod for adjustment to exact window size.

LEVEL-LOK

SECURITY BOX OPTION FOR HIGH RISK AREAS

In areas with dangerous or suicidal clients, the security box option prevents tampering with or removing the spring roller



Durable for high-risk areas

Added suicide prevention

Prevents removal without special tools

Completely secures spring roller

22 gauge galvanized sheet metal

Powder-coat in white, beige, or bronze

Clutch System Window Shades

Rollease R-Series Chain Driven System for Commercial Window Coverings

Even the tallest shades are easy to reach

Heavy duty mechanism

Simple to operate



Healthcare

Residential Living

Universities & Schools

Corporate & Public Facilities

Room Darkening or Solar Screens

*Photos/Logos/Patterns/Colors
Custom Printed on Shades*

*All fabrics are Flame Retardant
to meet NFPA 701*

WEBBShade

WEBB DESIGNS, INC PO Box 1405 El Cajon, CA 92022

www.webbshade.com

800-262-9322